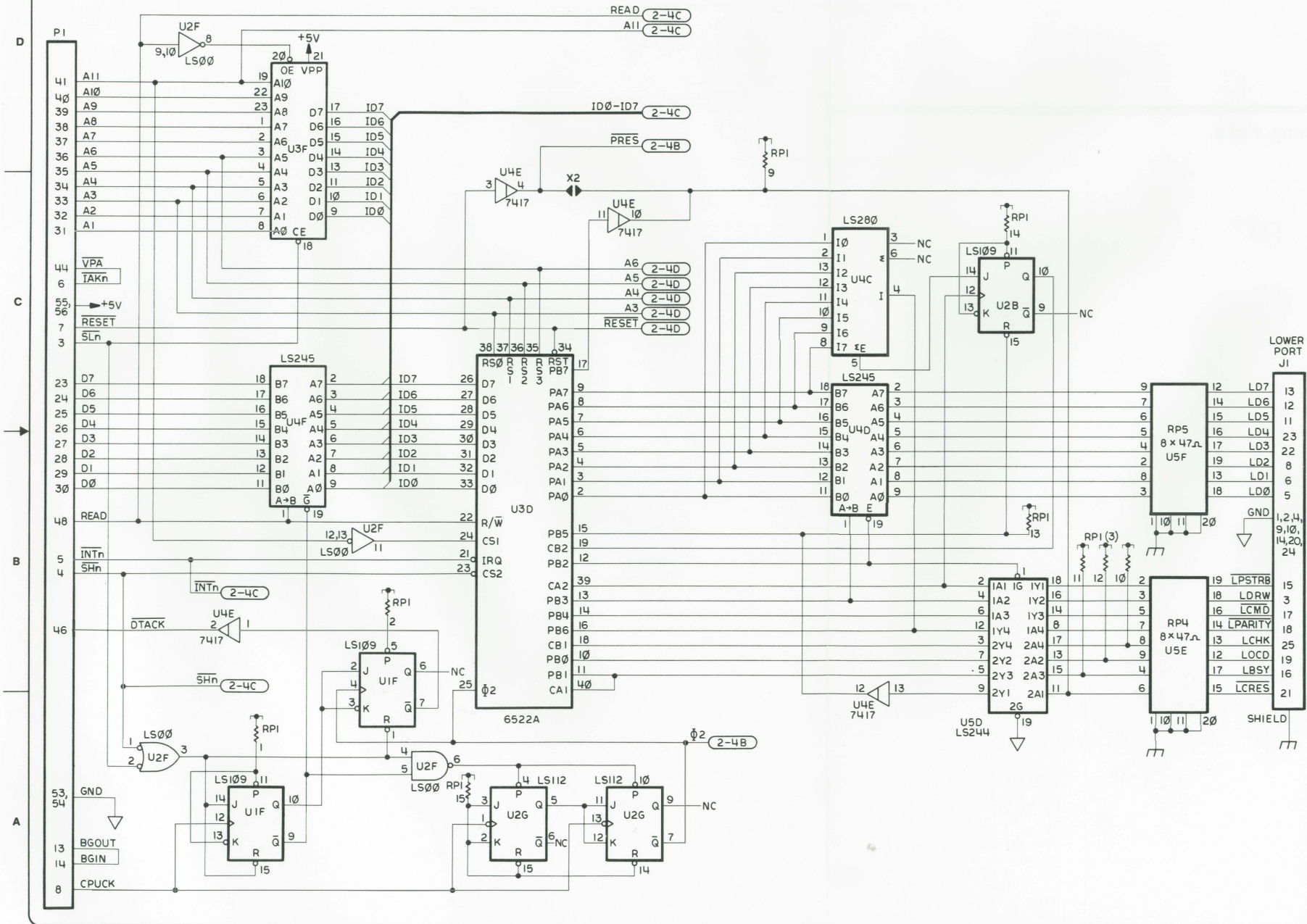


REV	ZONE	ECO #	REVISION	APPD
A	---	B178	INITIAL RELEASE	---

NOTE: UNLESS OTHERWISE SPECIFIED

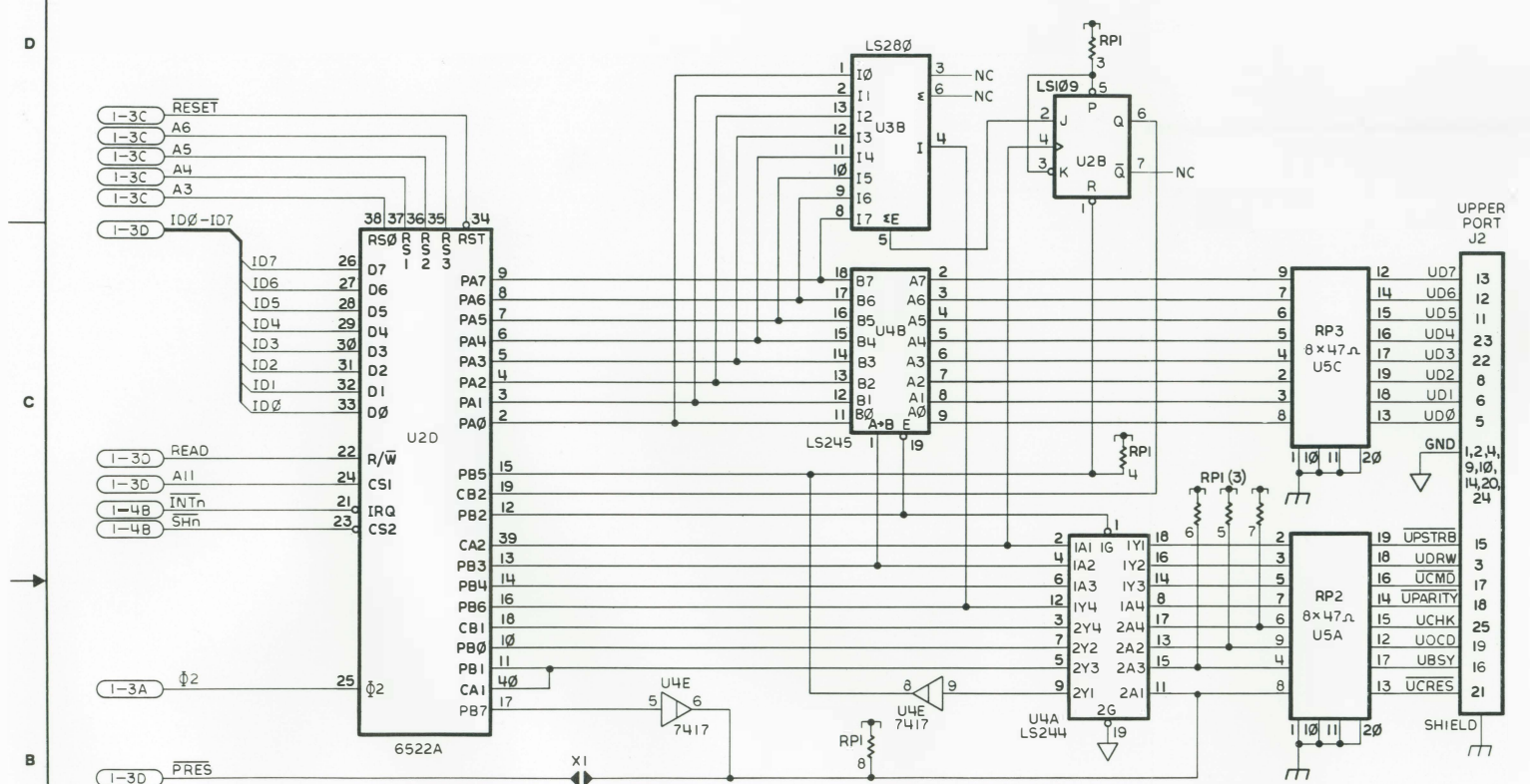
1. PI 15 COMPATIBLE IN ALL EXPANSION SLOTS.



<p>NOTICE OF PROPRIETARY PROPERTY THE INFORMATION CONTAINED HEREIN IS THE PROPRIETARY PROPERTY OF APPLE COMPUTER, INC. THE POSSESSOR AGREES TO THE FOLLOWING: 1. TO MAINTAIN THIS DOCUMENT IN CONFIDENCE 2. NOT TO REPRODUCE OR COPY IT 3. NOT TO REVEAL OR PUBLISH IT IN WHOLE OR PART</p>			
<p>DATE: 1/78 BY: J. M. H. CHECKED: 1/78 APPROVED: J. M. H.</p>		<p>TITLE: SCHEMATIC, PARALLEL I/F LISA DRAWING NUMBER: 050-4027-A SCALE: D SIZE: 1/2</p>	
<p>DESIGNED BY: MARTEN</p>		<p>POSITION: POS</p>	

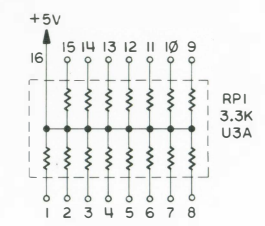
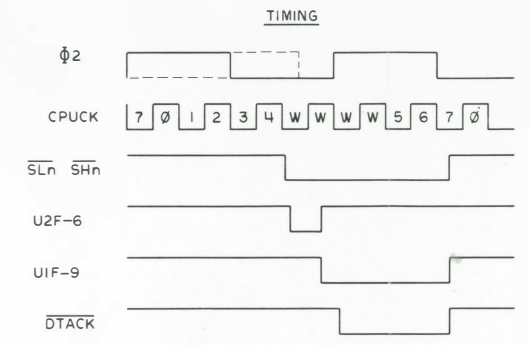
050-4027-A 1/2

NOTE: UNLESS OTHERWISE SPECIFIED
SEE SH 1



REF DESIG	DEVICE	+5V PIN #	GND PIN #
U1F,2B	LS109	16	8
U2D,3D	6522A	20	1
U2F	LS00	14	7
U2G	LS112	16	8
U3B,4C	LS280	14	7
U3F	2716	24	12
U4A,5D	LS244	20	10
U4B,4D,HF	LS245	20	10
U4E	7417	14	7

REFERENCE DESIGNATIONS	
LAST USED	NOT USED
RP	RP5
C	C16
J	J2
X	X2
P	PI



METRIC		apple computer inc.	
DIMENSIONS ARE IN MILLIMETERS			
TOLERANCES			
X = ±0.25			
XX = ±0.15			
XXX = ±0.10			
NOTICE OF PROPRIETARY PROPERTY			
THE INFORMATION CONTAINED HEREIN IS THE PROPRIETARY PROPERTY OF APPLE COMPUTER, INC. THE POSSESSOR AGREES TO THE FOLLOWING:			
1. NOT TO REPRODUCE OR COPY IT			
2. NOT TO REVEAL OR PUBLISH IT IN WHOLE OR PART			
TITLE		SCHEMATIC, PARALLEL I/F LISA	
DESIGNER	SCALE	DRAWING NUMBER	SHEET 2/2
MARTEN	D	050-4027-A	

050-4027-A