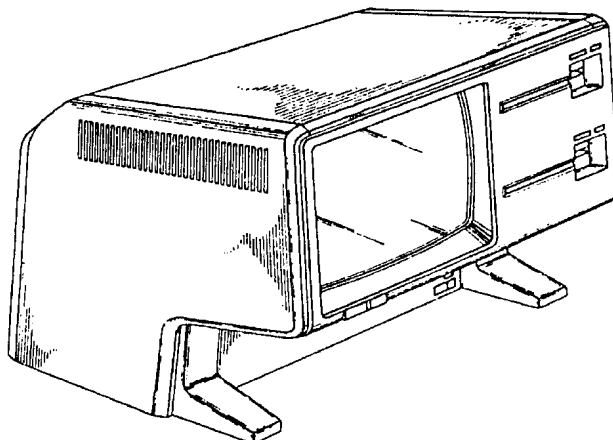


Illustrated Parts List



Source

Lisa Level I Technical Procedures
Illustrated Parts List
October 1988
Apple Computer, Inc.



LISA/MACINTOSH XL ILLUSTRATED PARTS LISTS

TABLE OF CONTENTS

Section 1. Lisa 1.0 Illustrated Parts List

Chassis 3.....1.1
 Top Assembly.....1.3
 Video Assembly.....1.5
 Chassis 1.....1.7
 Disk Drive Assembly.....1.9
 Card Cage.....1.11
 CPU Board.....1.13
 I/O Board.....1.15

Section 2. Lisa 2 Illustrated Parts List

Front Bezel.....2.1
 Top Assembly.....2.3
 Chassis 4.....2.5
 Video Assembly.....2.7
 Chassis 2.....2.9
 Chassis 1.....2.11
 Disk Drive Assembly.....2.13
 Card Cage.....2.15
 CPU Board.....2.17
 I/O Board.....2.19

Section 3. Macintosh XL Illustrated Parts List

Front Bezel.....3.1
 Top Assembly.....3.3
 Chassis 4.....3.5
 Video Assembly.....3.7
 Chassis 2.....3.9
 Chassis 1.....3.11
 Disk Drive Assembly.....3.13
 Card Cage.....3.15
 CPU Board.....3.17
 I/O Board.....3.19

end 3.22



Lisa 1.0 Technical Procedures

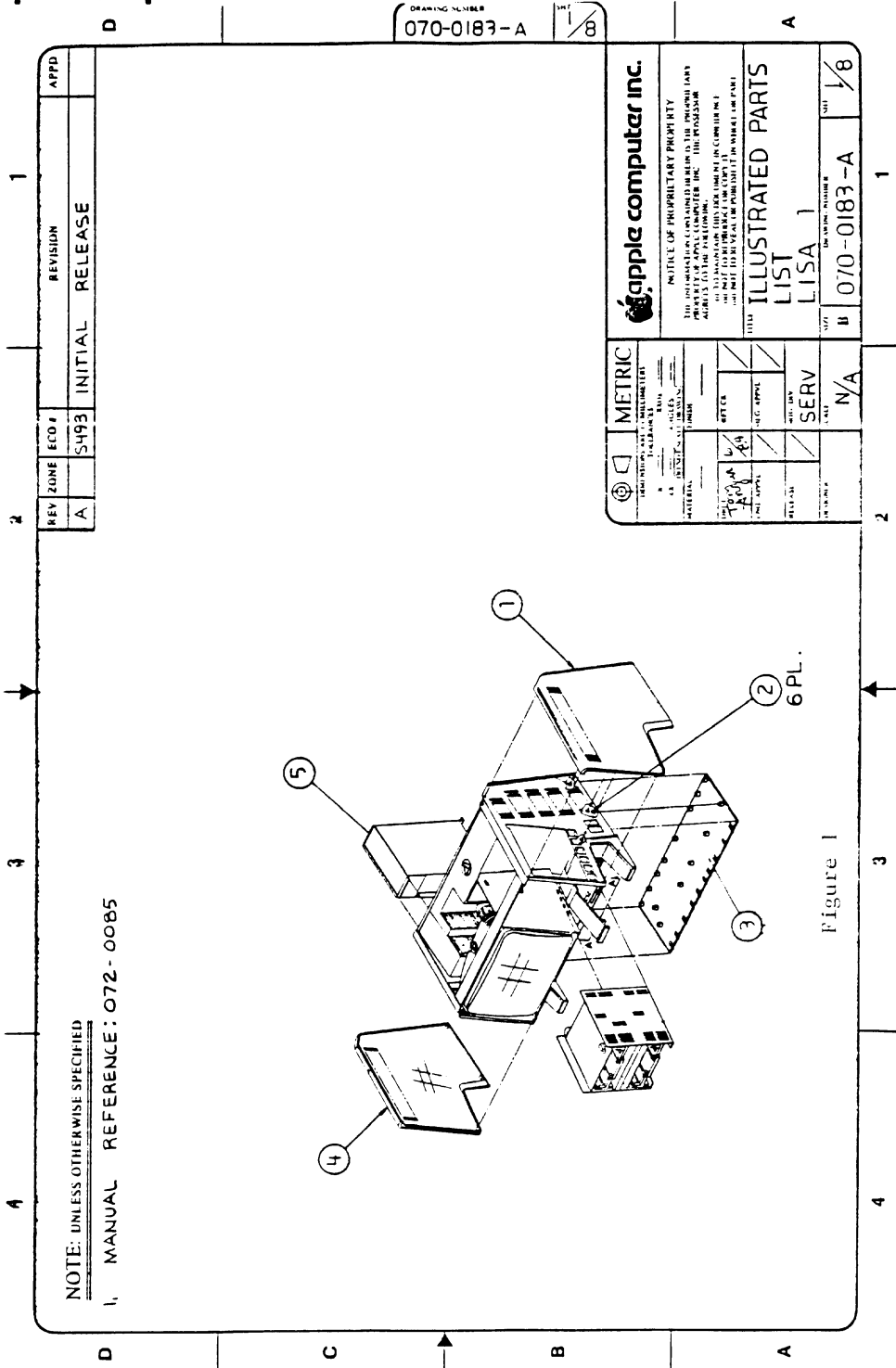
Section 1

Illustrated Parts List

The figures and lists below include all piece parts that can be purchased separately from Apple for the Lisa 1.0, along with their part numbers. These are the only parts available from Apple. Refer to your Apple Service Programs manual for prices.

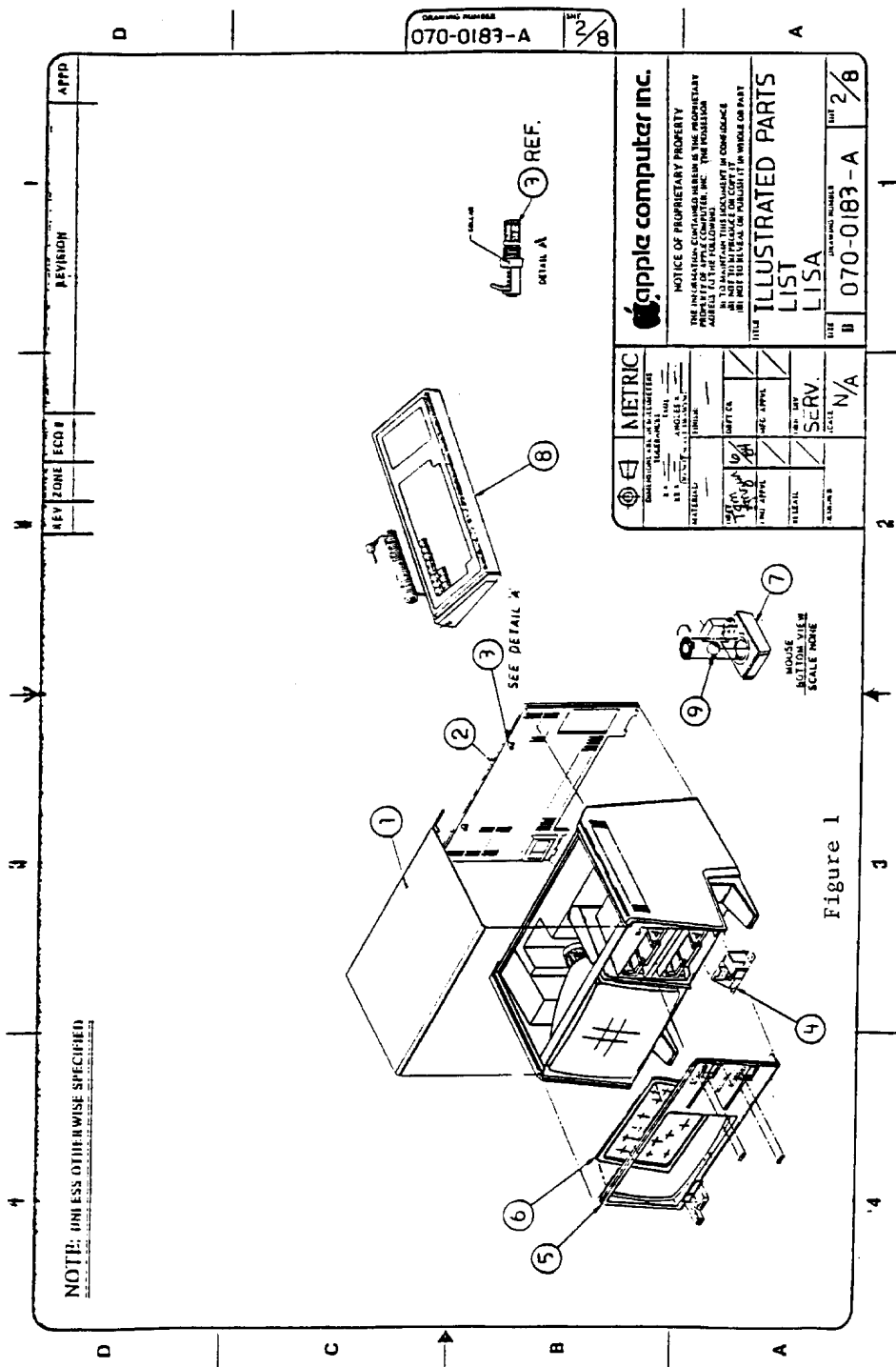
Contents:

Chassis 3.....	1.1
Top Assembly.....	1.3
Video Assembly.....	1.5
Chassis 1.....	1.7
Disk Drive Assembly.....	1.9
Card Cage.....	1.11
CPU Board.....	1.13
I/O Board.....	1.15



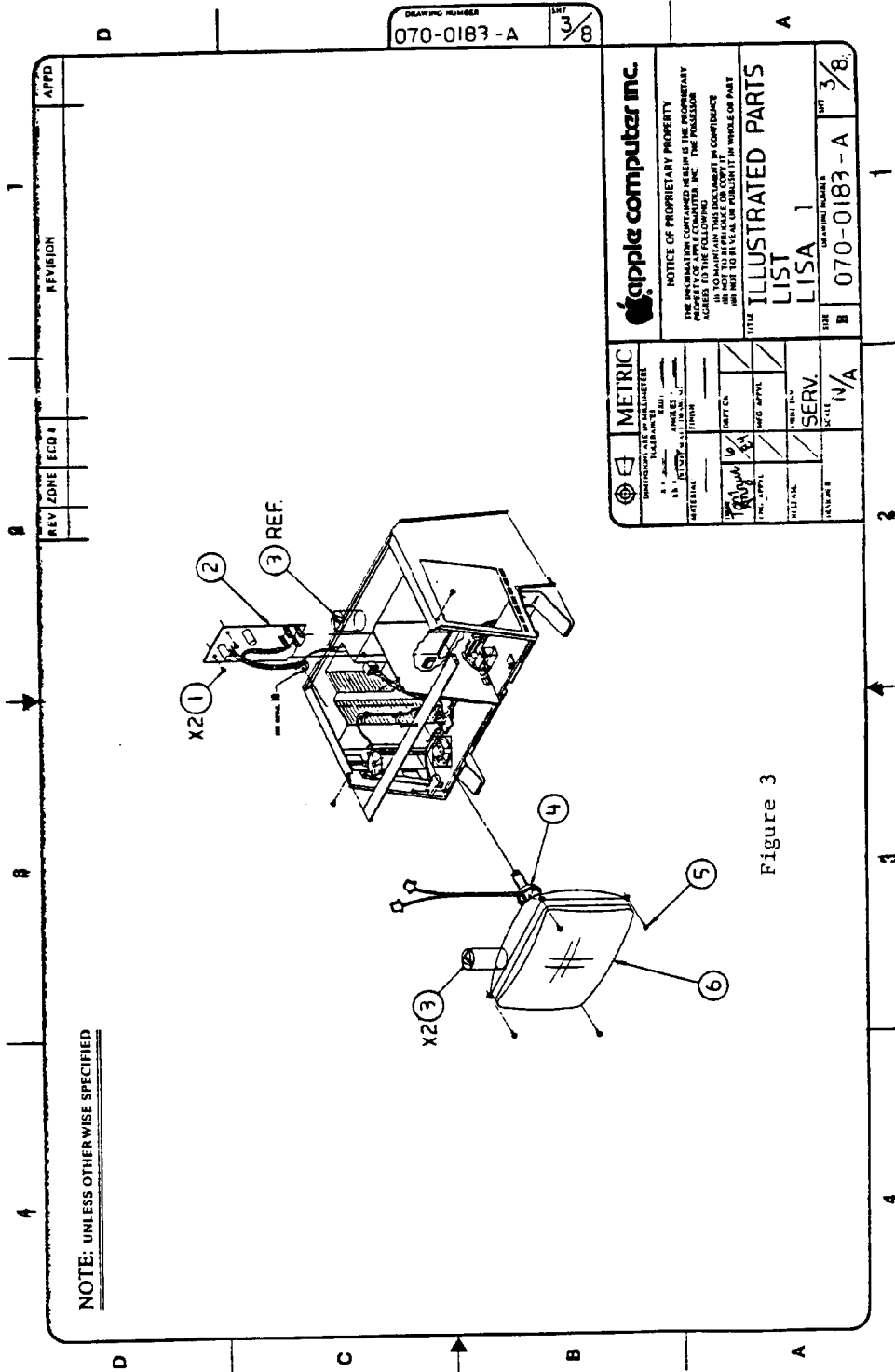
**LISA 1.0 CHASSIS 3 (Figure 1)**

Item	Part No.	Description
1	815-4073	Right Side Plastic
2	430-3001	Bottom Pan Screw, Tap 6-20x0.375
3	815-4090	Bottom Pan
4	815-4074	Left Side Plastic
5	661-93108	Lisa 1.0/2.0 Power Supply



**LISA 1.0 TOP ASSEMBLY (Figure 2)**

Item	Part No.	Description
1	815-4075	Top Cover Plastic
2	620-5105	Subassembly, Back
3	830-0051	Fastener, 1/4 Turn
4	076-0104	Lisa/Macintosh XL Soft Switch Assembly
5	620-5127	Lisa 1.0 Bezel Subassembly
6	620-6112	Glare Screen Assembly
7	661-93111	Lisa Mouse
8	661-93109	Lisa/Macintosh XL Keyboard
9	699-8001	Rubber Coated Mouse Ball



**LISA 1.0 VIDEO ASSEMBLY (Figure 3)**

Item	Part No.	Description
1	400-1603	Video Board Screw, 6-32x3/16
2	661-93107	Lisa/Macintosh XL Video Board
3	825-4002	Label, Danger
4	159-0015	Magnet, Yoke Trim
	159-0020	Magnet, Yoke, Yellow
	159-0021	Magnet, Yoke, Red
	159-0022	Magnet, Yoke, Green
	159-0023	Magnet, Yoke, Blue
5	450-0020	Serrated Washer CRT 8-32x0.375
6	076-0105	Lisa/Macintosh XL CRT Yoke Assembly



DRAWING NUMBER 070-0183-A SHEET 4/8

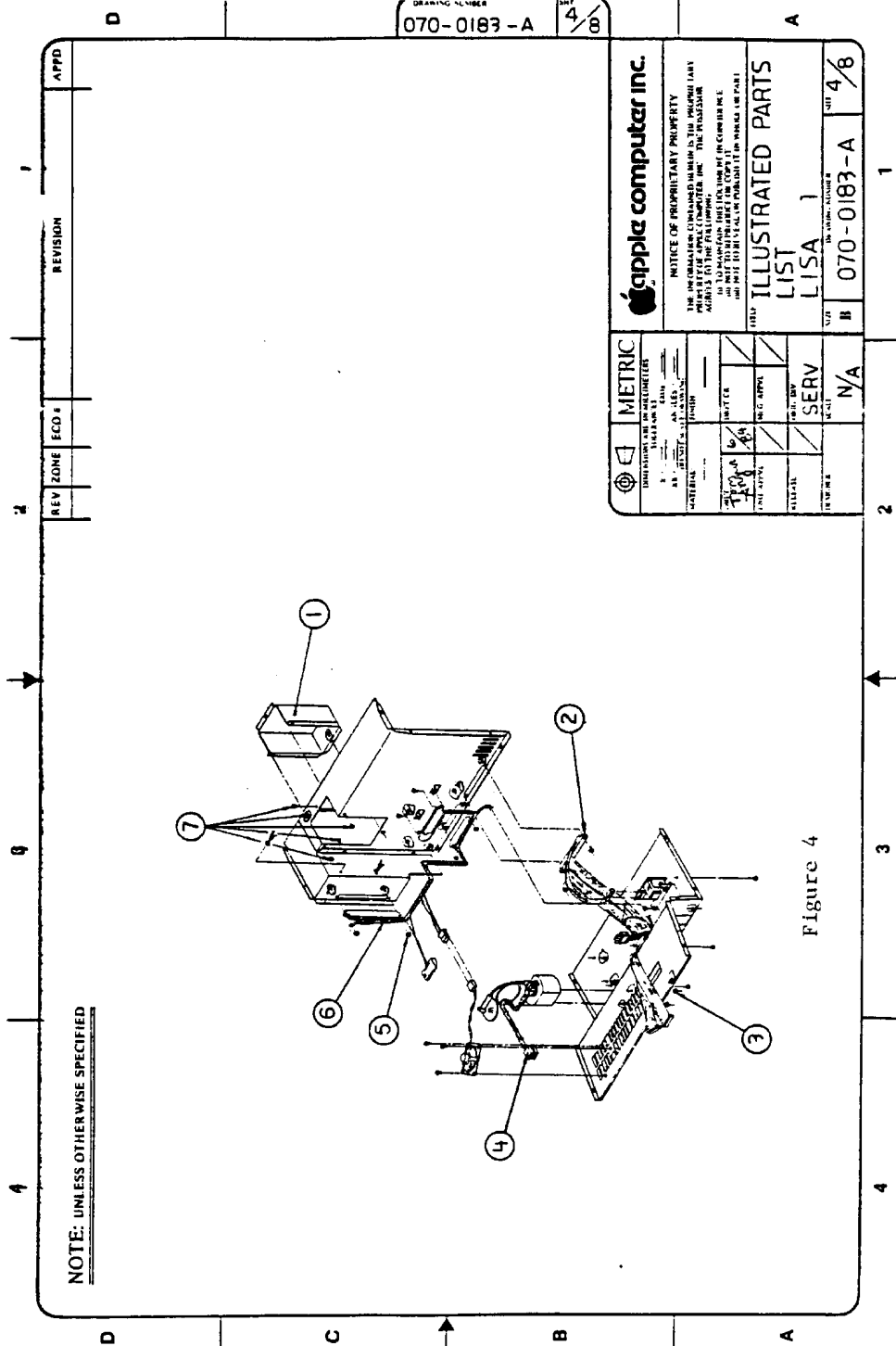
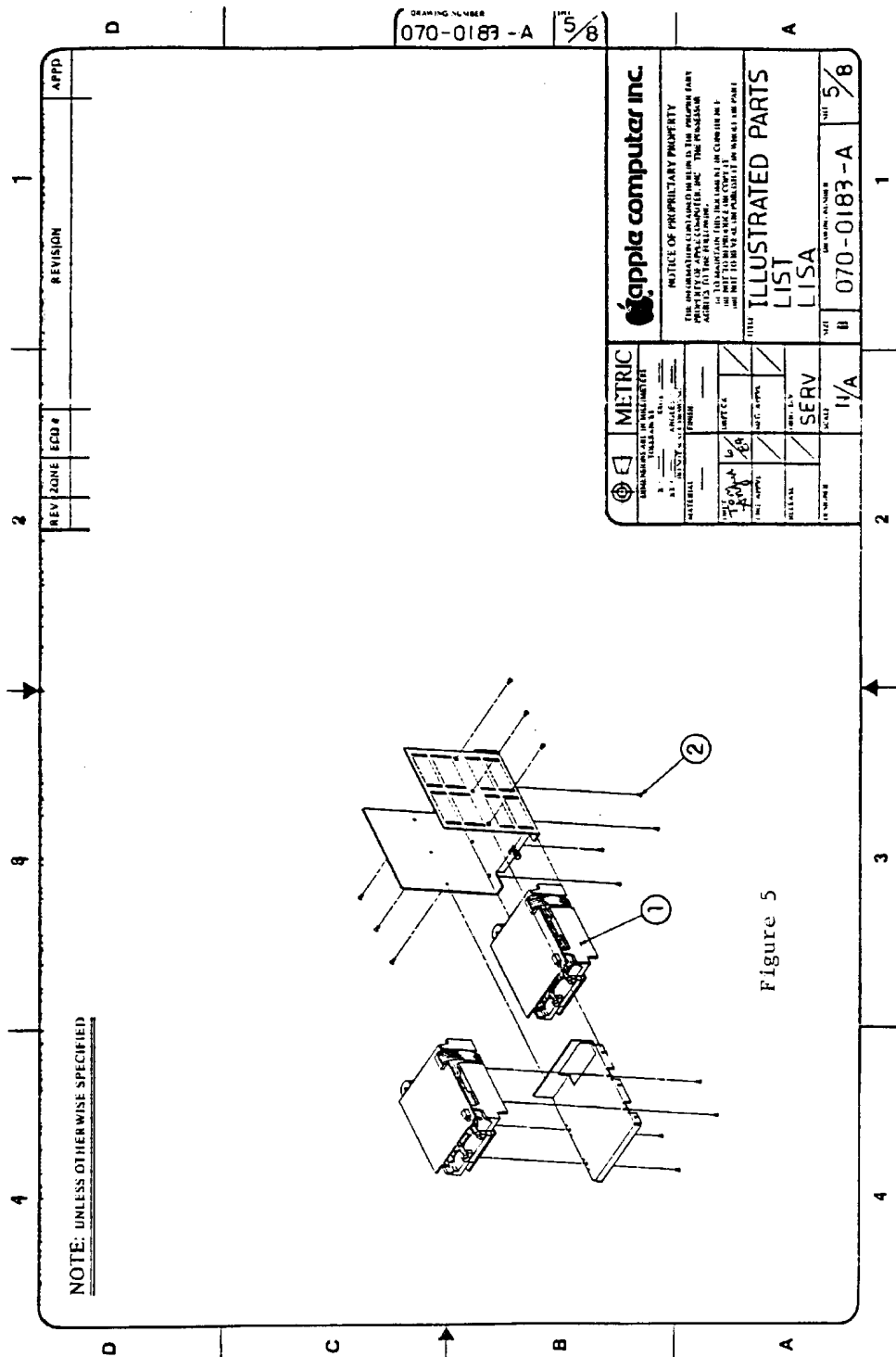


Figure 4

NOTICE OF PROPRIETARY PRIVILEGE THE INFORMATION CONTAINED HEREIN IS THE PROPRIETARY PROPERTY OF APPLE COMPUTER, INC. THE INFORMATION CONTAINED HEREIN IS TO BE USED ONLY FOR THE PURPOSES SPECIFIED AND IS NOT TO BE DISCLOSED TO ANY OTHER PARTY.	
ILLUSTRATED PARTS LIST LISA 1	
DRAWING NUMBER 070-0183-A	SHEET 4/8
METRIC DIMENSIONS IN MILLIMETERS DRAWING IN INCHES DRAWING IN MILLIMETERS	IMPRINT DATE DRAWN BY CHECKED BY APPROVED BY
MATERIALS PART NUMBER QUANTITY UNIT COMMENTS	PART NUMBER QUANTITY UNIT COMMENTS

**LISA 1.0 CHASSIS 1 (Figure 4)**

Item	Part No.	Description
1	805-4008	CRT Cup
2	591-0002	Cable Assembly, Disk Drive, Lisa 1.0/2.0
3	835-0181	Nut/Washer Assy, M3 0.5, Lisa/Macintosh XL Flyback
4	076-0106	Lisa/Macintosh XL Flyback Transformer
5	835-0150	Nut/Washer Assy, Card Cage Chamber
6	591-0003	Cable Assembly, Power, Lisa 1.0
7	400-1603	Video Board Screw, 6-32x3/16



LISA 1.0 DISK DRIVE ASSEMBLY (Figure 5)

Item	Part No.	Description
1	661-93110	Lisa 1.0 Drive Module
2	400-3604	Disk Drive Screw, 6-32x1/4



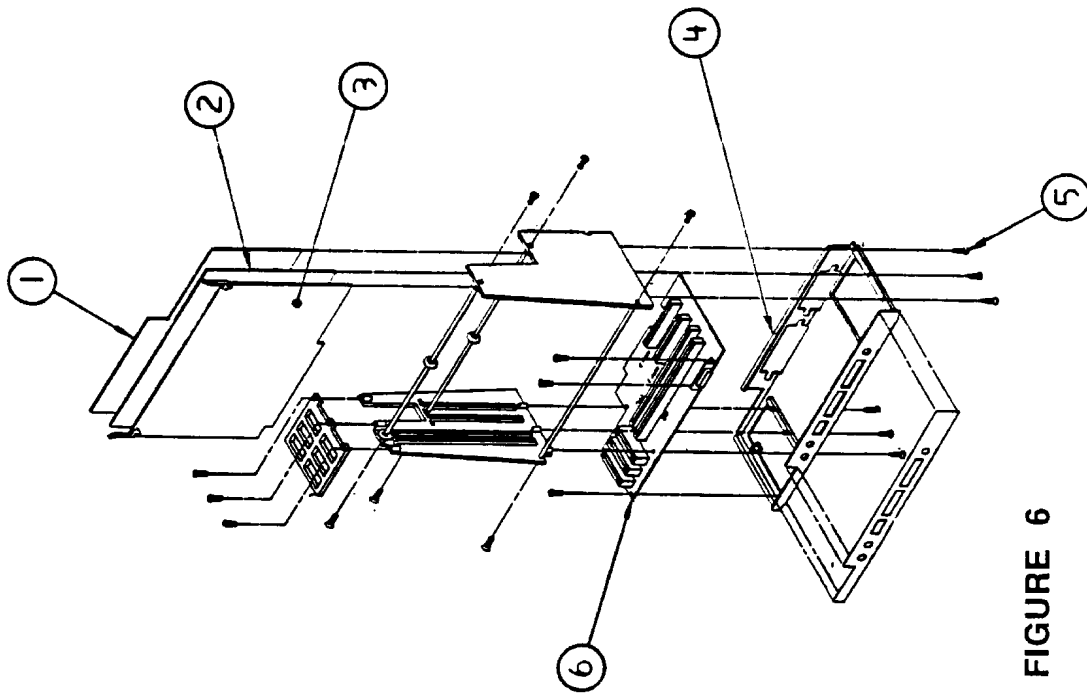


FIGURE 6

LISA 1.0 CARD CAGE (Figure 6)

Item	Part No.	Description
1	661-93105	Lisa/Macintosh XL Memory Board
2	661-93103	Lisa/Macintosh XL CPU Card
3	661-93104	Lisa 1.0 I/O Board
4	805-4046	Lisa 1.0/2.0 Card Cage Chassis
5	400-1405	Card Cage Screw, 4-40 x 5/16
6	661-93106	Lisa 1.0/2.0 Motherboard

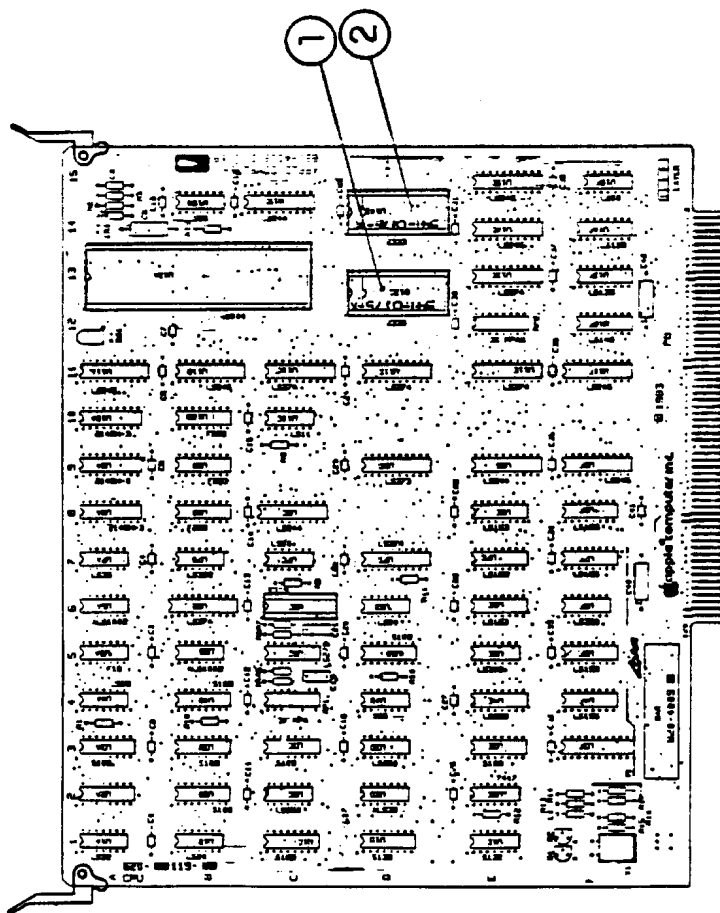
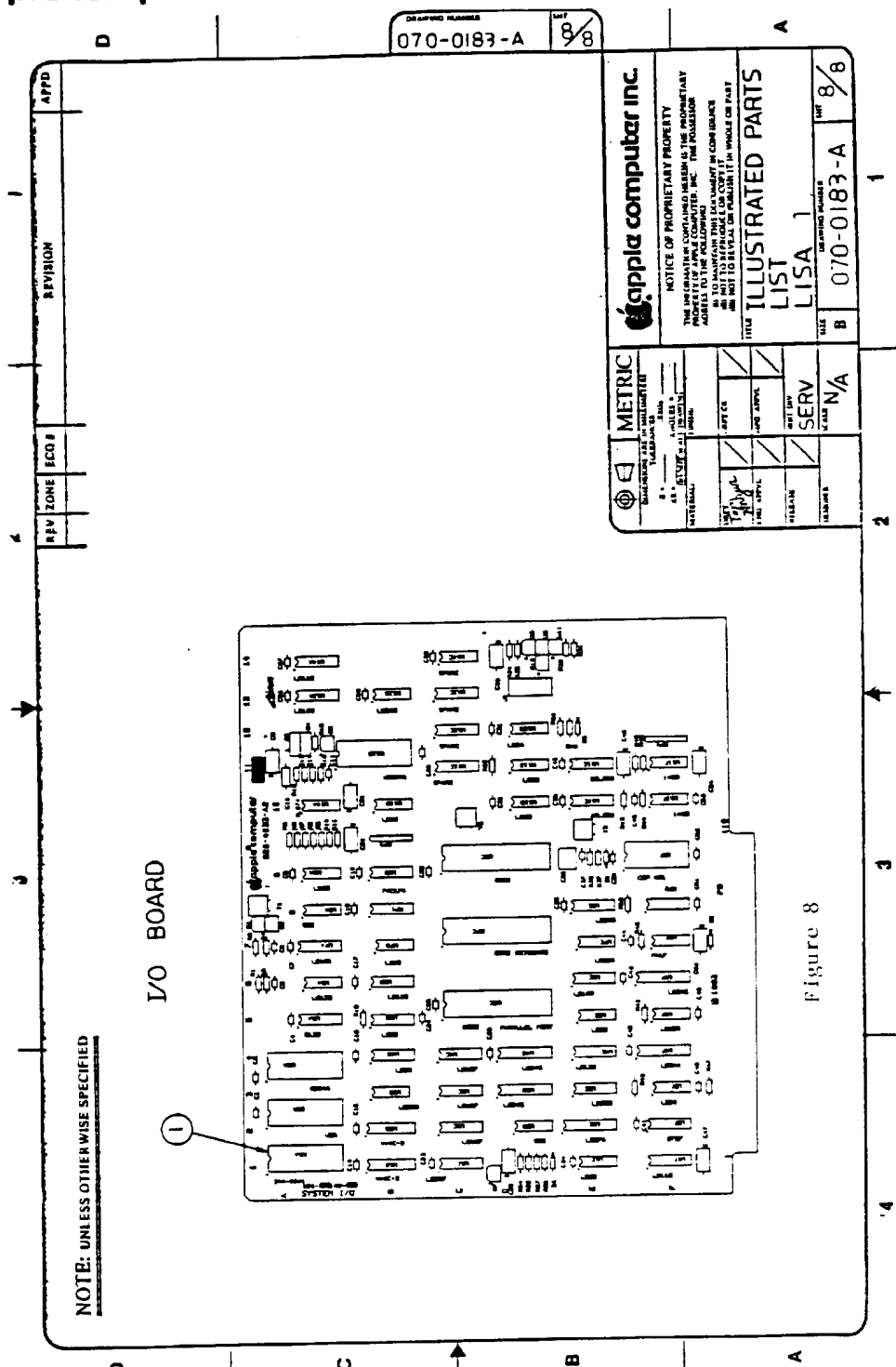


FIGURE 7

**LISA CPU BOARD (Figure 7)**

Item	Part No.	Description
1	341-0175	Boot ROM, High 64K
2	341-0176	Boot ROM, Low 64K



**LISA I/O BOARD (Figure 8)**

Item	Part No.	Description
1	341-0138	Disk Controller ROM

**Lisa 2 Technical Procedures****Section 2****Illustrated Parts List**

The figures and lists below include all piece parts that can be purchased separately from Apple for the Lisa 2, along with their part numbers. These are the only parts available from Apple. Refer to your Apple Service Programs manual for prices.

Contents:

Front Bezel.....	2.1
Top Assembly.....	2.3
Chassis 4.....	2.5
Video Assembly.....	2.7
Chassis 2.....	2.9
Chassis 1.....	2.11
Disk Drive Assembly.....	2.13
Card Cage.....	2.15
CPU Board.....	2.17
I/O Board.....	2.19

DRAWING NUMBER
070-0200-A

REV 1/11

APPD

REVISION

INITIAL RELEASE

REV ZONE	A	REV #	S493	REV	1
----------	---	-------	------	-----	---

NOTE: UNLESS OTHERWISE SPECIFIED

1 MANUAL REFERENCE : 072-0085

Figure 1

METRIC	SERV	N/A	SERV	N/A	SERV
--------	------	-----	------	-----	------

apple computer inc.

NOTICE OF PROPRIETARY PROPERTY

THIS DRAWING IS THE PROPERTY OF APPLE COMPUTER, INC. AND IS TO BE KEPT CONFIDENTIAL. IT IS TO BE USED ONLY FOR THE PURPOSES SPECIFIED HEREIN. IT IS TO BE RETURNED TO APPLE COMPUTER, INC. UPON REQUEST.

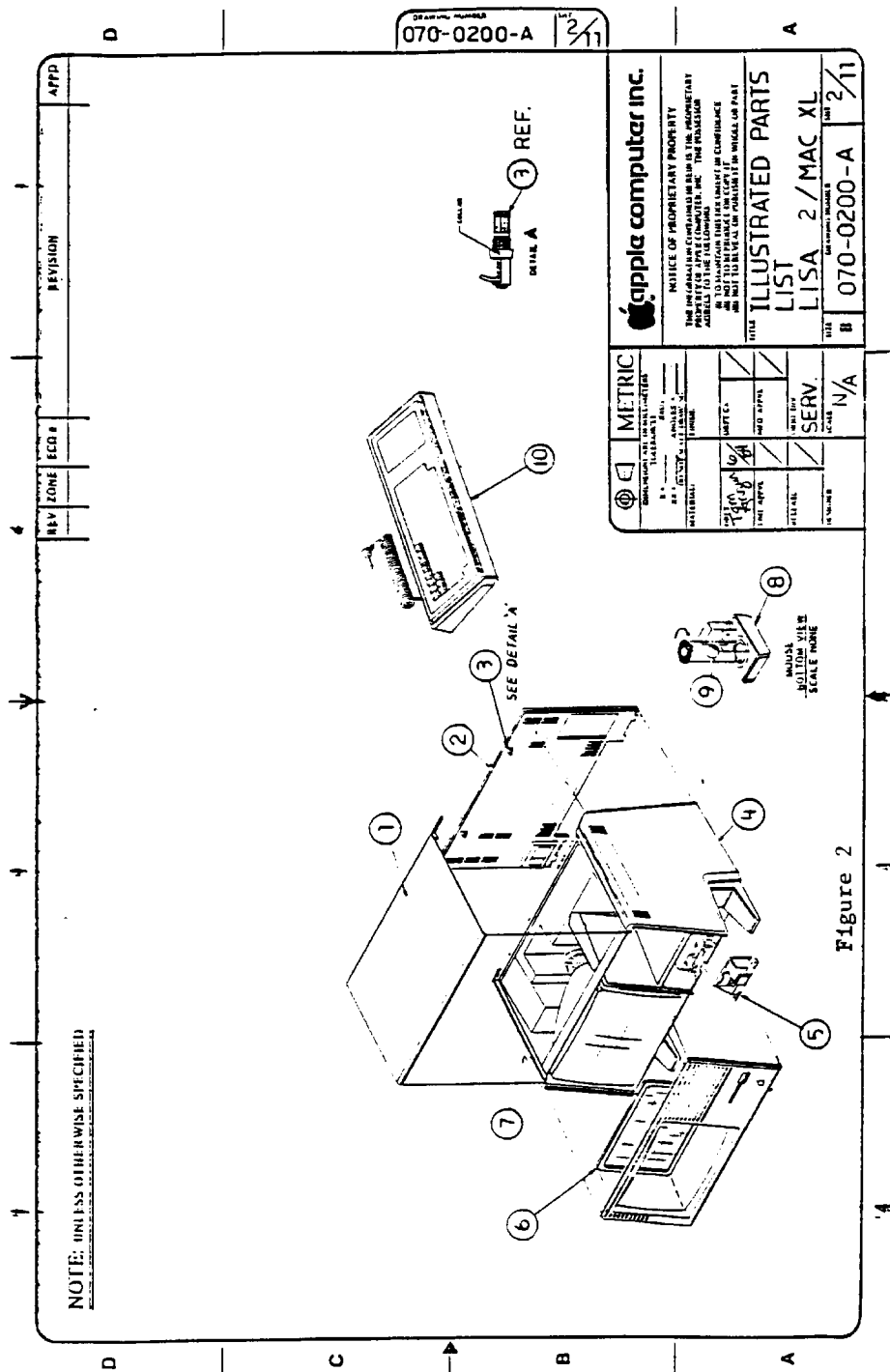
ILLUSTRATED PARTS LIST

LISA 2 / MAC XL

REV 1/11

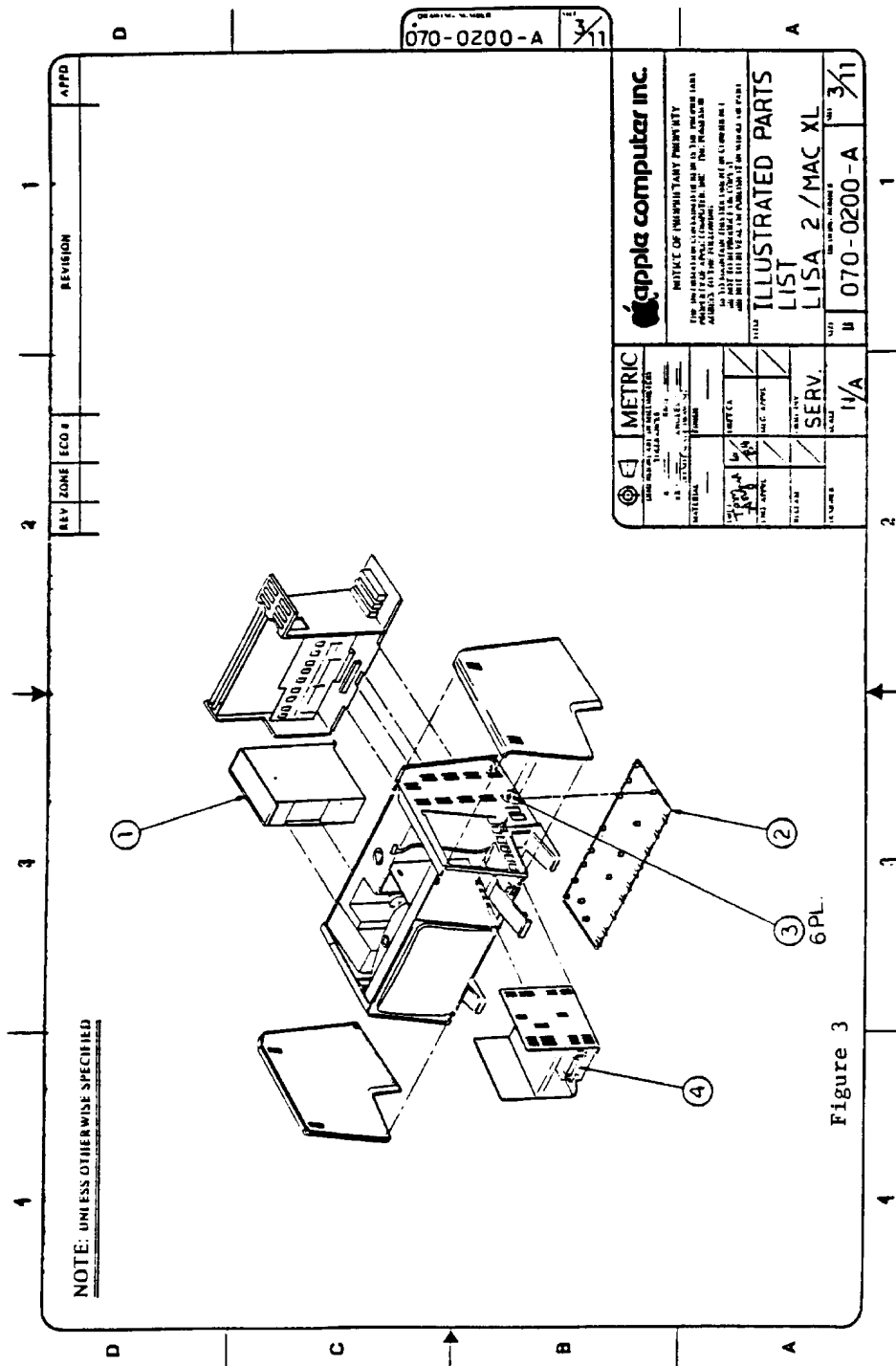
**LISA 2 FRONT BEZEL (Figure 1)**

Item	Part No.	Description
1	620-5136	Lisa 2.0/Macintosh XL Bezel
Subassembly		
2	815-4120	Lens, Bezel LED



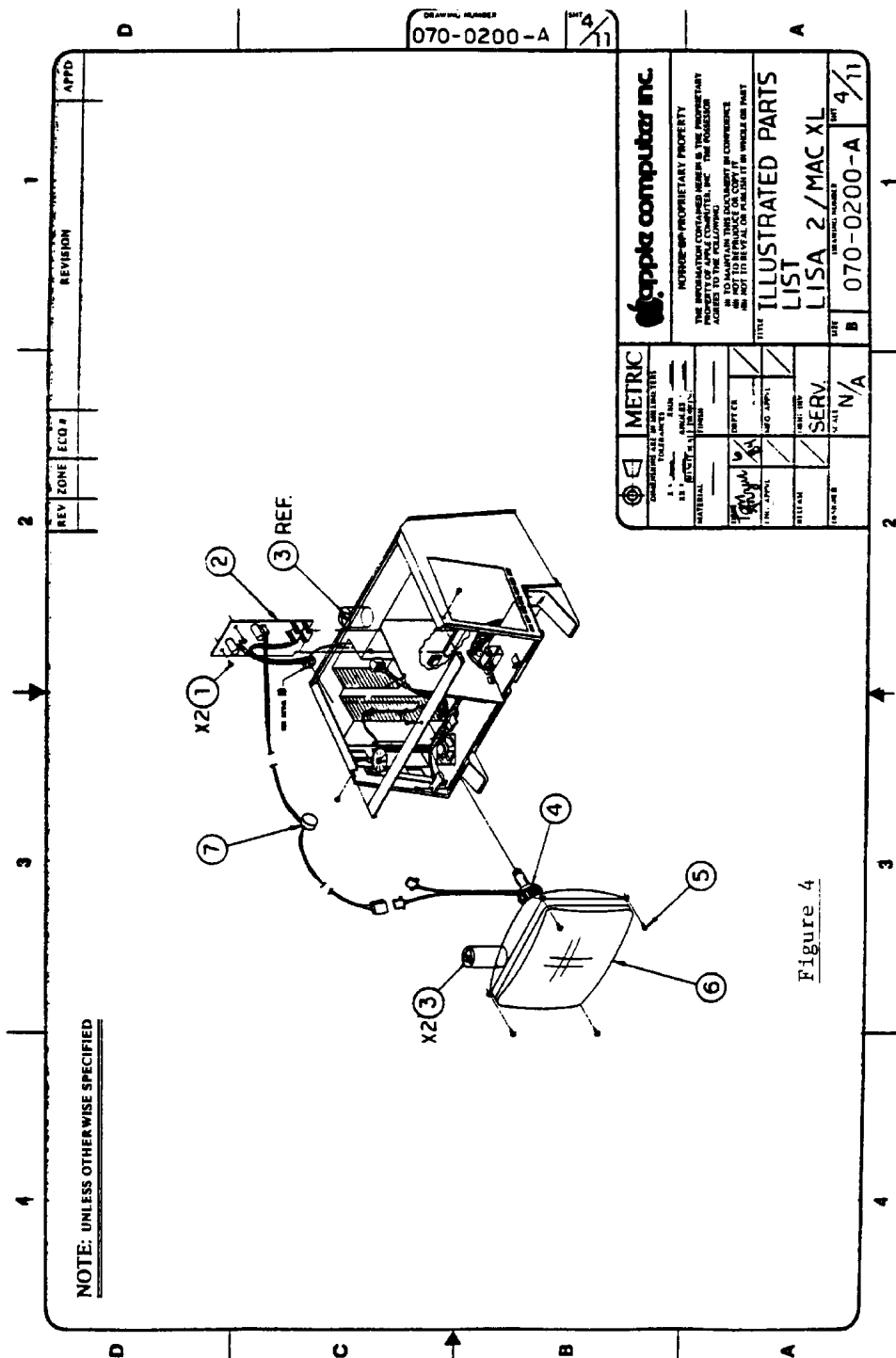
**LISA 2 TOP ASSEMBLY (Figure 2)**

Item	Part No.	Description
1	815-4075	Top Cover Plastic
2	620-5105	SubAssembly, Back Lisa
3	830-0051	Fastener, 1/4 Turn
4	815-4073	Right Side Plastic
5	076-0104	Lisa/Macintosh XL Soft Switch Assembly
6	620-6112	Glare Screen Assembly
7	815-4074	Left Side Plastic
8	661-93111	Lisa 1.0/2.0 Mouse
9	699-8001	Rubber Coated Mouse Ball
10	661-93109	Lisa/Macintosh XL Keyboard



**LISA 2 CHASSIS 4 (Figure 3)**

Item	Part No.	Description
1	661-93108	Lisa 1.0/2.0 Power Supply
2	815-4090	Bottom Pan
3	430-3001	Screw Tap 6-20x0.375, Bottom Pan
4	661-76156	Micro Disk Mech Assembly



NOTE: UNLESS OTHERWISE SPECIFIED

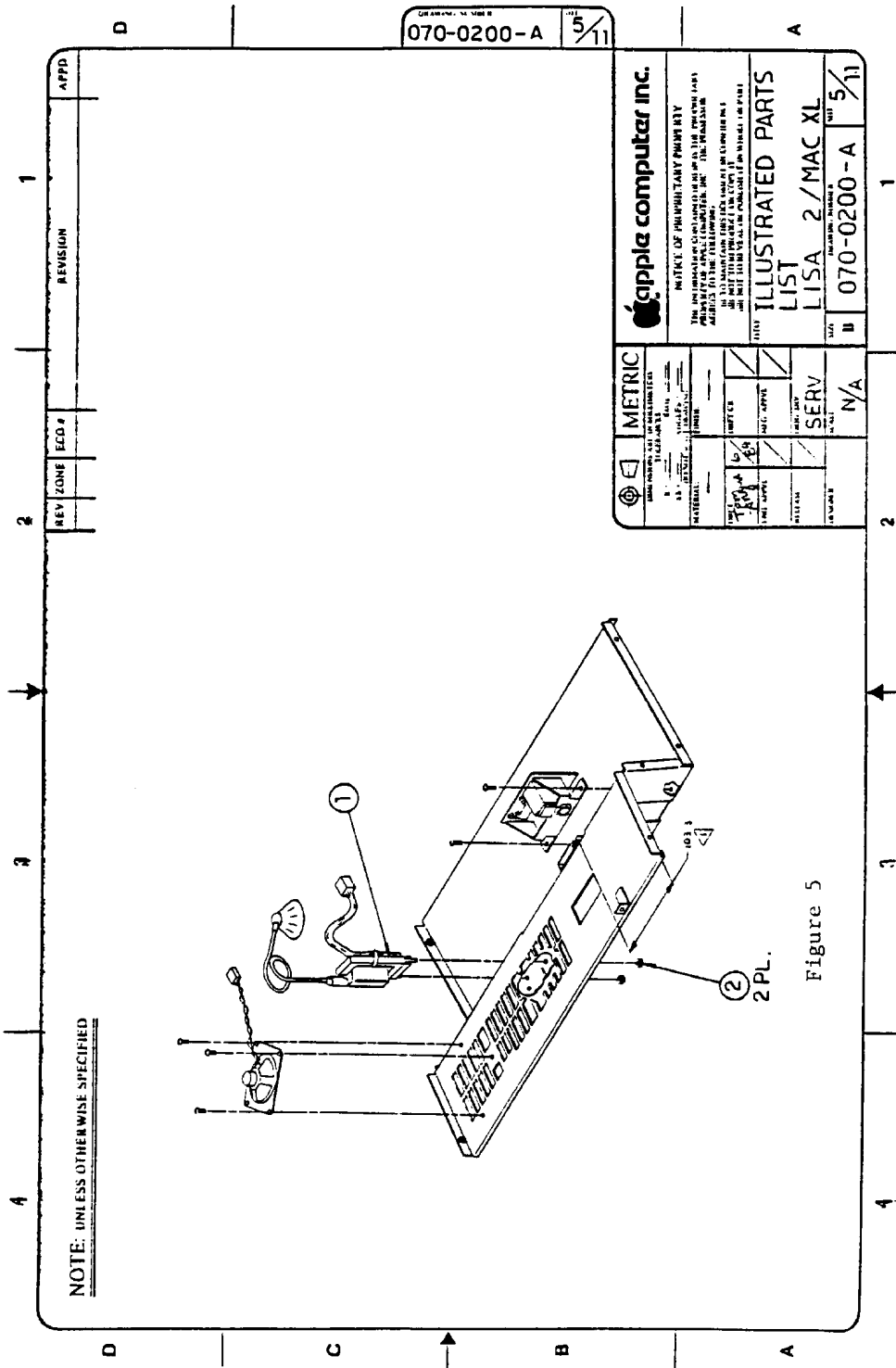
070-0200-A INT 4/11

METRIC CONFORMS TO INTERNATIONAL STANDARDS 1:1 UNLESS OTHERWISE SPECIFIED		apple computer inc. INFORMATION PROPRIETARY PROPERTY THE INFORMATION CONTAINED HEREIN IS THE PROPRIETARY PROPERTY OF APPLE COMPUTER, INC. THE POSSESSOR IS TO MAINTAIN THIS DOCUMENT IN CONFIDENCE AND NOT TO REPRODUCE OR DISSEMINATE IN WHOLE OR PART	
TITLE ILLUSTRATED PARTS LIST LISA 2 / MAC XL		DATE 070-0200-A INT 4/11	
METRIC CHECKED DATE	DESIGNED DATE	DRAWN DATE	CHECKED DATE
SERVICED DATE	N/A	N/A	N/A

Figure 4

**LISA 2 VIDEO ASSEMBLY (Figure 4)**

Item	Part No.	Description
1	400-1603	Video Board Screw, 6-32x3/16
2	661-93107	Lisa/Macintosh XL Video Board
3	825-4002	Label, Danger
4	159-0015	Magnet, Yoke, Trim
	159-0020	Magnet, Yoke, Yellow
	159-0021	Magnet, Yoke, Red
	159-0022	Magnet, Yoke, Green
	159-0023	Magnet, Yoke, Blue
5	450-0020	Serrated Washer CRT 8-32x0.375
6	076-0105	Lisa/Macintosh XL CRT Yoke Assembly
7	699-0346	Transformer



070-0200-A 5/11

REV. ZONE	ECD #	REVISION	1

METRIC THE INFORMATION CONTAINED HEREIN IS THE PROPERTY OF APPLE COMPUTER, INC. THE INFORMATION IS TO BE USED FOR THE DESIGN AND CONSTRUCTION OF THE PRODUCT DESCRIBED HEREIN. IT IS NOT TO BE REPRODUCED OR TRANSMITTED IN ANY FORM OR BY ANY MEANS, ELECTRONIC OR MECHANICAL, INCLUDING PHOTOCOPYING, RECORDING, OR BY ANY INFORMATION STORAGE AND RETRIEVAL SYSTEM.		apple computer inc. 1000 AVENUE OF THE STARS CUPERTINO, CALIFORNIA 95014
ILLUSTRATED PARTS LIST LISA 2 / MAC XL		070-0200-A 5/11
PART NUMBER 1033	QUANTITY 1	UNIT U
PART NAME KEYBOARD	PART NUMBER 1034	QUANTITY 1
PART NAME MOUSE	PART NUMBER 1035	QUANTITY 1
PART NAME SYSTEM UNIT	PART NUMBER 1036	QUANTITY 1

**LISA 2 CHASSIS 2 (Figure 5)**

Item	Part No.	Description
1	076-0106	Lisa/Macintosh XL Flyback Transformer
2	835-0181	Nut/Washer Assembly M3 0.5, Lisa/Macintosh XL Flyback

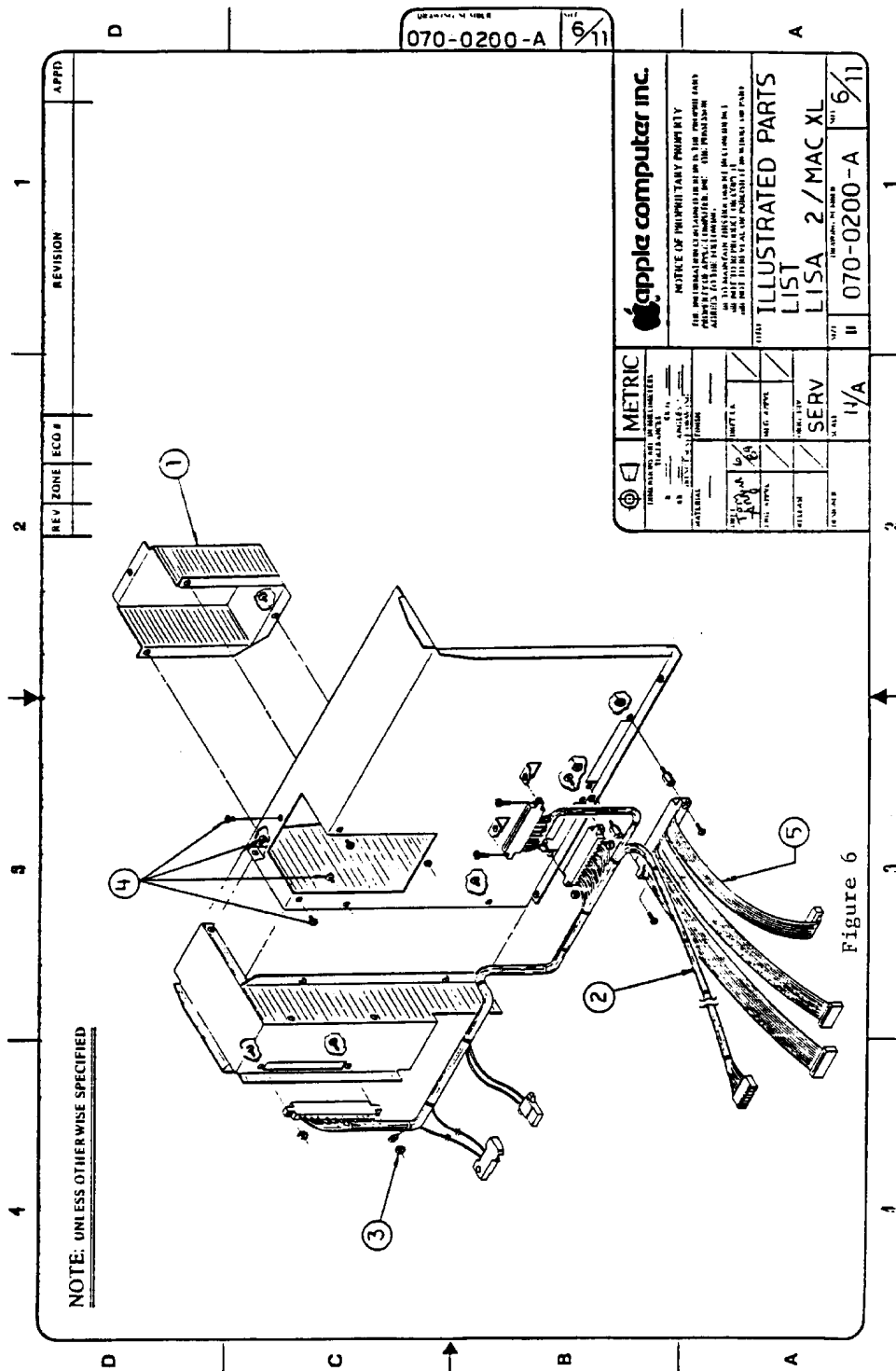


Figure 6

**LISA 2 CHASSIS 1 (Figure 6)**

Item	Part No.	Description
1	805-4008	CRT Cup
2	591-0020	Power Cable, 2.0/Macintosh XL
3	835-0159	Nut, Washer Assembly Card Cage Chamber
4	400-1603	Video Board Screw, 6-32x3/16
5	591-0002	Drive Cable, 1.0/2.0

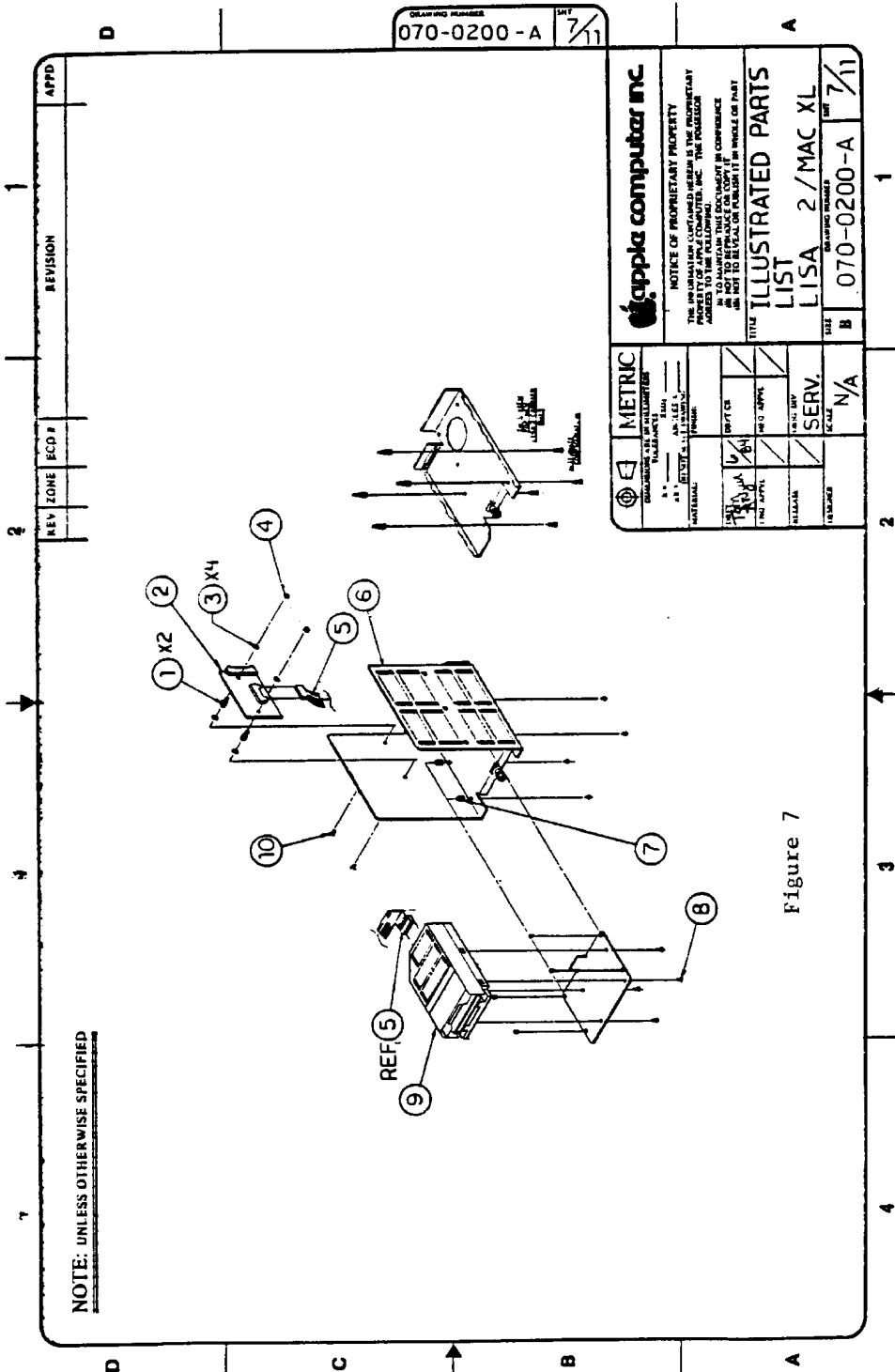


Figure 7

LISA 2 DISK DRIVE ASSEMBLY (Figure 7)

Item	Part No.	Description
1	860-0210	Micro Disk Adapter Standoff
2	661-93194	Drive Adapter Card
3	860-0251	Washer, Internal Tooth #6
4	835-0116	Nut, Hex Size 6, Microdisk Adapter PCB
5	590-0086	Micro Disk Adapter Cable
6	805-4052	Micro Disk Drive Carrier
7	860-0009	Micro Disk Drive Standoff
8	● 410-1306	Micro Disk Drive Screw M3x0.5x6mm
9	661-76156	Micro Disk Mechanical Assembly
10	400-3604	Disk Drive Screw, 6-32x1/4

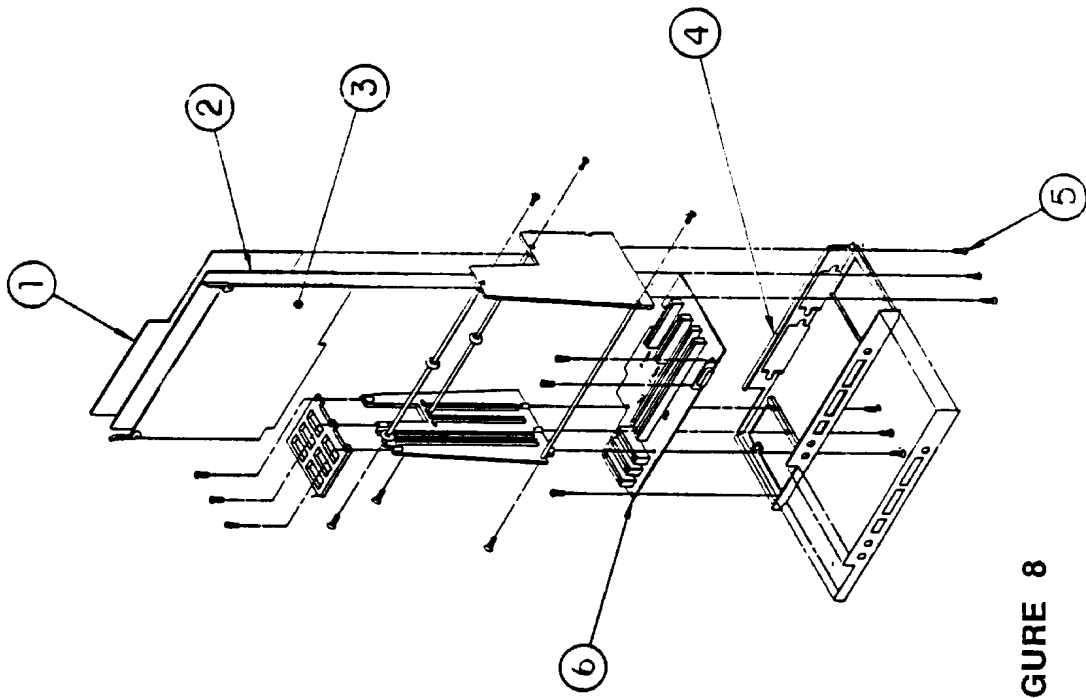


FIGURE 8

LISA 2 CARD CAGE (Figure 8)

Item	Part No.	Description
1	661-93105	Lisa/Macintosh XL Memory Board
2	661-93103	Lisa/Macintosh XL CPU Card
3	661-93198	Lisa 2.0 I/O Board
4	805-4046	Lisa 1.0/2.0 Card Cage Chassis
5	400-1405	Card Cage Screw, 4-40 x 5/16
6	661-93106	Lisa 1.0/2.0 Motherboard

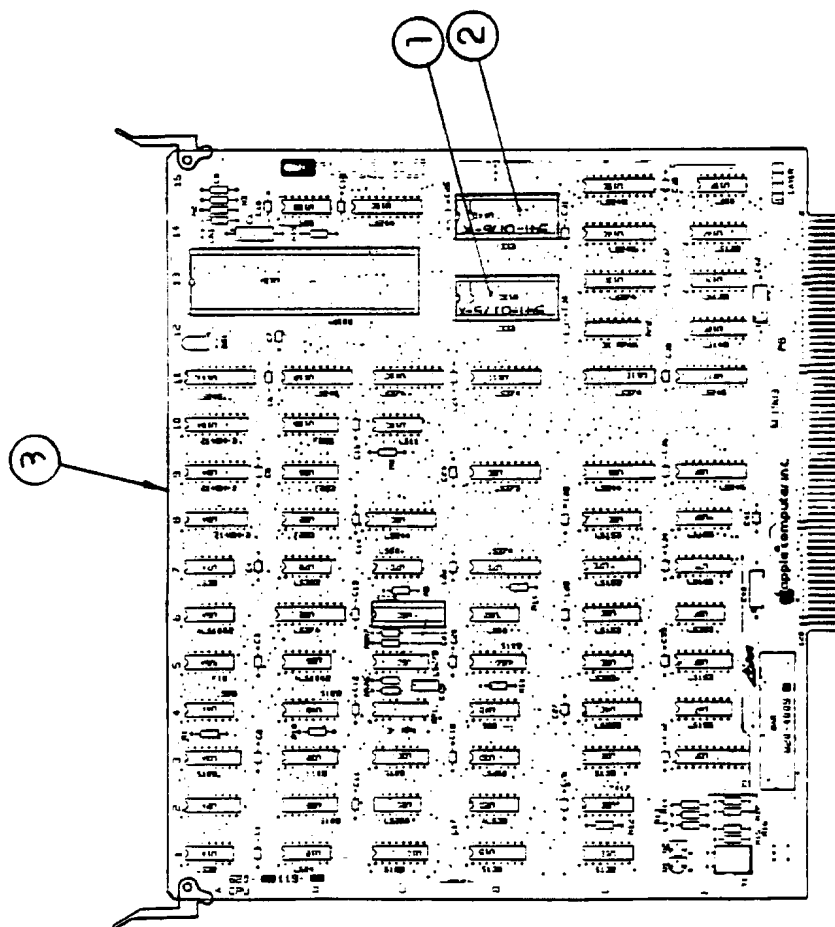


FIGURE 9

**LISA/MACINTOSH XL CPU BOARD (Figure 9)**

Item	Part No.	Description
1	341-0175	Boot ROM, High 64K
2	341-0176	Boot ROM, Low 64K
3	661-93103	Lisa/Macintosh XL CPU Card

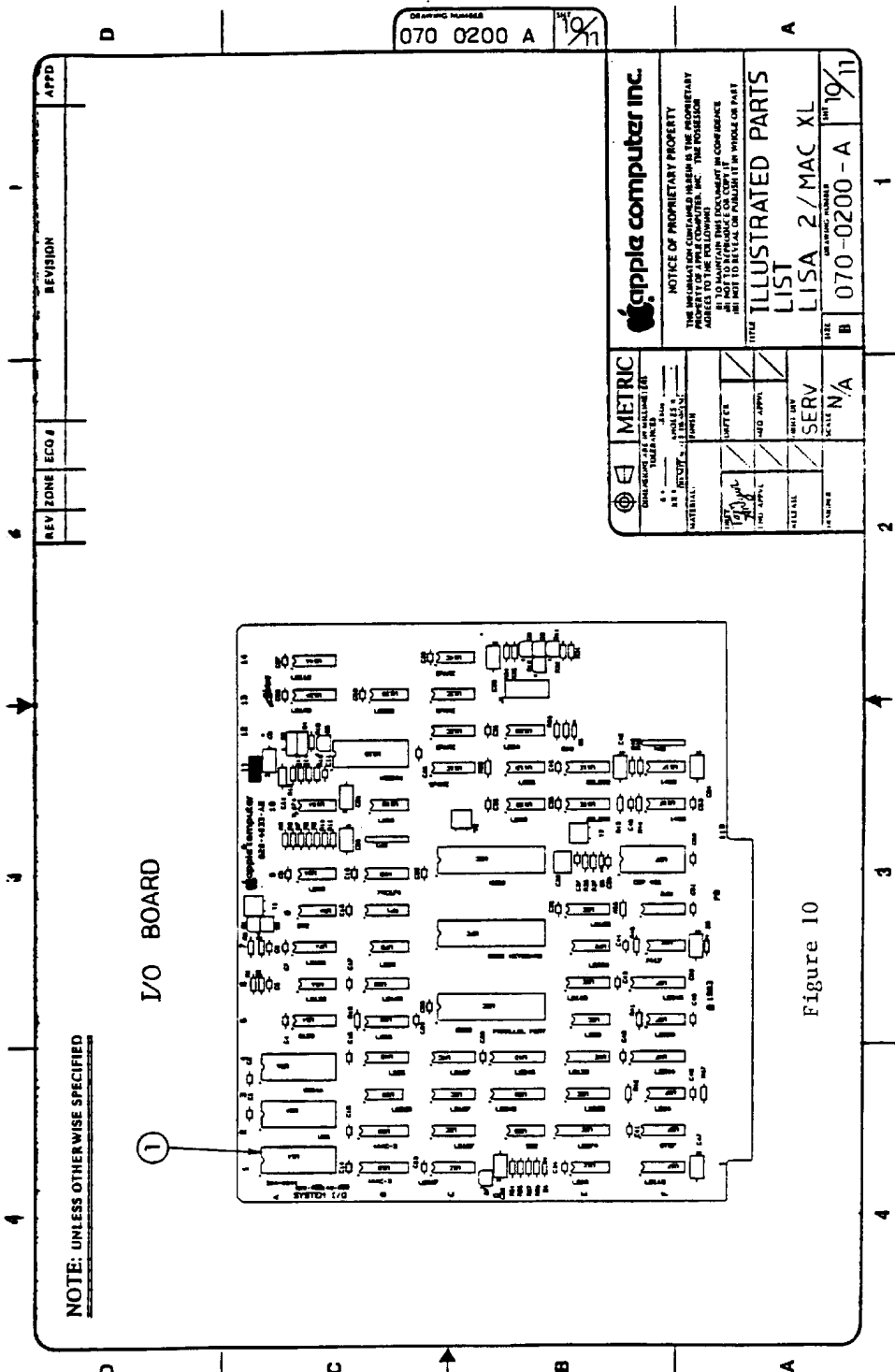


Figure 10

**LISA 2 I/O BOARD (Figure 10)**

Item	Part No.	Description
1	341-0290	Disk Controller ROM, Lisa 2

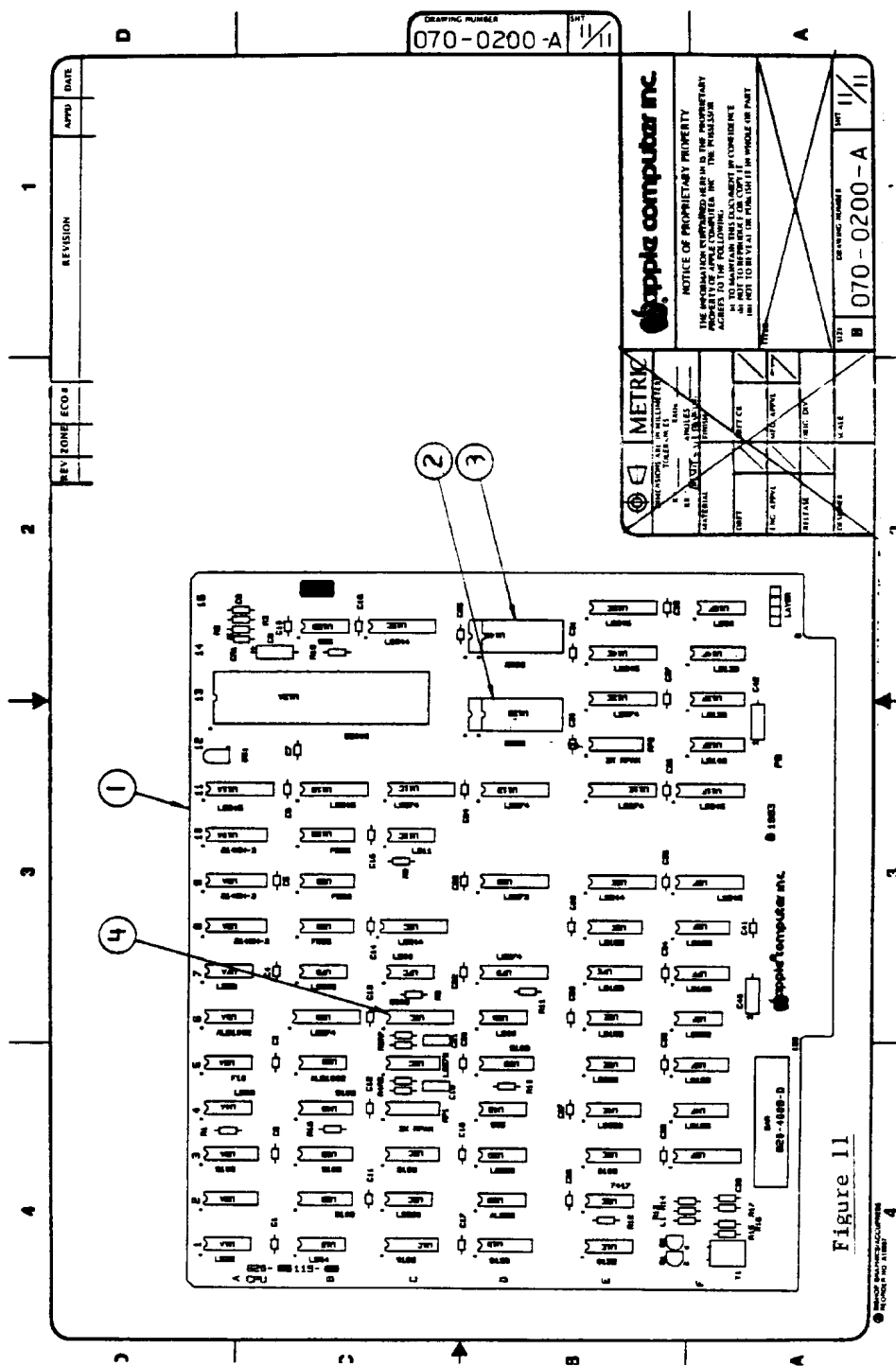


Figure 11

**LISA 2 - MODIFIED CPU CARD (Figure 11)**

Item	Part No.	Description
1	661-0298	Macintosh XL Modified CPU Card
2	341-0347	Boot ROM, High
3	341-0346	Boot ROM, Low
4	341-0348	Video ROM

**Macintosh XL Technical Procedures****Section 3****Illustrated Parts List**

The figures and lists below include all piece parts that can be purchased separately from Apple for the Macintosh XL, along with their part numbers. These are the only parts available from Apple. Refer to your Apple Service Programs manual for prices.

Contents:

Front Bezel.....	3.1
Top Assembly.....	3.3
Chassis 4.....	3.5
Video Assembly.....	3.7
Chassis 2.....	3.9
Chassis 1.....	3.11
Disk Drive Assembly.....	3.13
Card Cage.....	3.15
CPU Board.....	3.17
I/O Board.....	3.19

REV	ECO #	REVISION	APFD	DRAWING NUMBER	SHEET
A	5493	INITIAL RELEASE		070-0201-A	1/11

NOTE: UNLESS OTHERWISE SPECIFIED

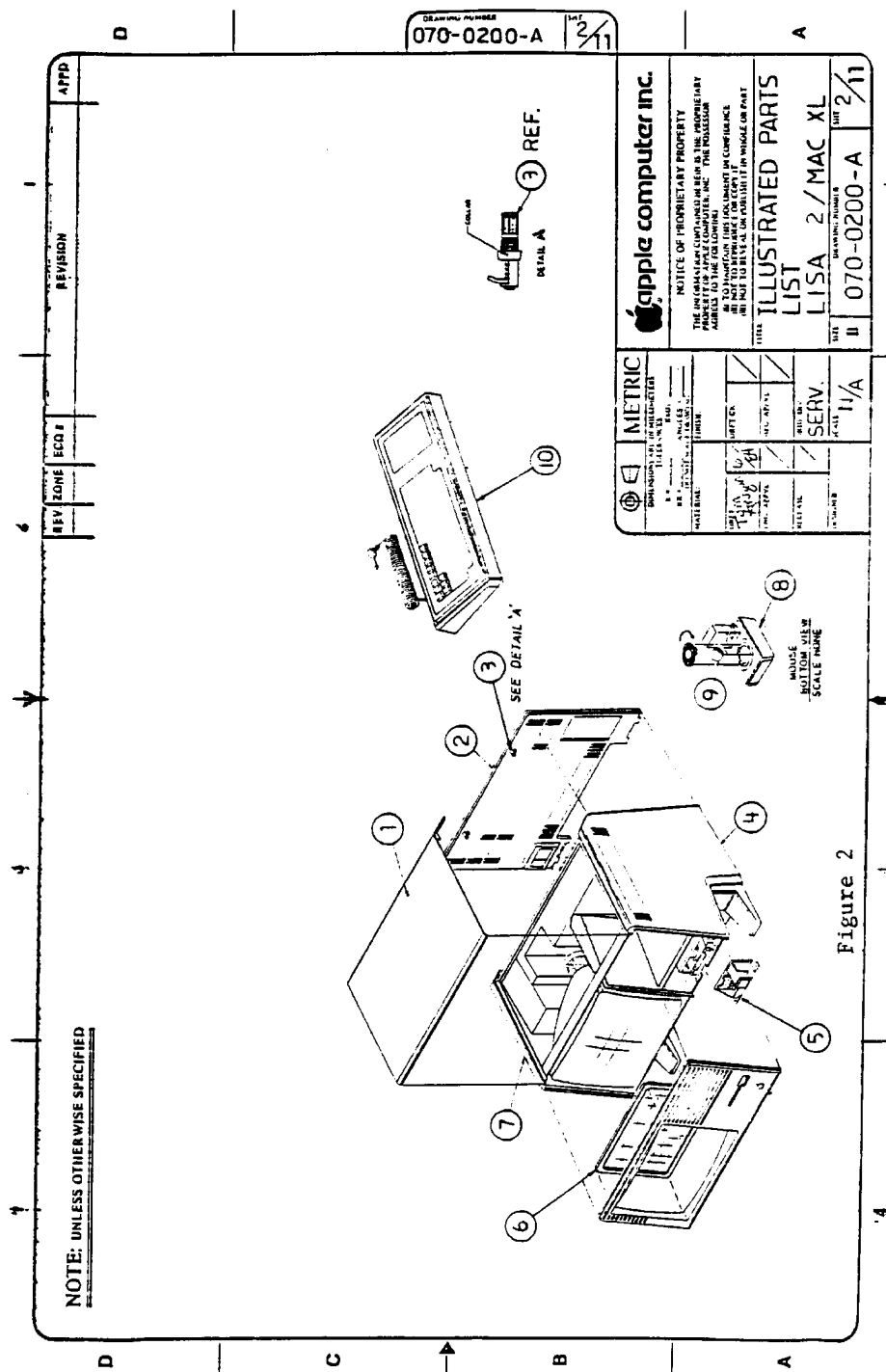
1). MANUAL REFERENCE : 072-0085

Figure 1

METRIC	NOTICE OF PROPRIETARY PROPERTY	TITLE	SHEET
INTERNATIONAL STANDARDS ORGANIZATION ISO 7533-1:1984 METRIC DIMENSIONS UNITS: MILLIMETER (M), CENTIMETER (CM), METER (M) ANGLES: DEGREE (°), MINUTE (′), SECOND (″) MASS: KILOGRAM (KG), GRAM (G) LENGTH: MILLIMETER (MM), CENTIMETER (CM), METER (M) AREA: SQUARE MILLIMETER (MM²), SQUARE CENTIMETER (CM²), SQUARE METER (M²) VOLUME: CUBIC MILLIMETER (MM³), CUBIC CENTIMETER (CM³), CUBIC METER (M³)	THE INFORMATION CONTAINED HEREIN IS THE PROPRIETARY PROPERTY OF APPLE COMPUTER, INC. THE PROVISION OF THIS INFORMATION IS LIMITED TO THE PARTS LISTED HEREIN AND IS NOT TO BE REPRODUCED OR TRANSMITTED IN ANY FORM OR BY ANY MEANS, ELECTRONIC OR MECHANICAL, INCLUDING PHOTOCOPYING, RECORDING, OR BY ANY INFORMATION STORAGE AND RETRIEVAL SYSTEM.	ILLUSTRATED PARTS LIST LISA 2/10/MAC.XL	B 070-0201-A 1/11

**MACINTOSH XL FRONT BEZEL (Figure 1)**

Item	Part No.	Description
1	620-5136	Lisa 2.0/Macintosh XL Bezel Subassembly
2	815-4120	Lens, Bezel LED



DRAWING NUMBER
070-0200-A
REV 2/11

apple computer inc.
NOTICE OF PROPRIETARY PROPERTY
THE INFORMATION CONTAINED HEREIN IS THE PROPRIETARY
PROPERTY OF APPLE COMPUTER, INC. AND IS TO BE
USED ONLY FOR THE PURPOSES SPECIFIED IN THE
TITLE. IT IS NOT TO BE REPRODUCED OR TRANSMITTED
IN ANY FORM OR BY ANY MEANS, ELECTRONIC OR
MECHANICAL, INCLUDING PHOTOCOPYING, RECORDING,
OR BY ANY INFORMATION STORAGE AND RETRIEVAL
SYSTEM, WITHOUT PERMISSION IN WRITING FROM
APPLE COMPUTER, INC.

ILLUSTRATED PARTS
LIST
LISA 2 / MAC XL
DRAWING NUMBER 070-0200-A
REV 2/11

METRIC	UNITS	SCALE
INCHES	1/16	1/4
MILLIMETERS	0.5	1
FRONT VIEW	TOP VIEW	RIGHT SIDE VIEW
LEFT SIDE VIEW	REAR VIEW	BOTTOM VIEW
ISOMETRIC	SECTION	OTHER

Figure 2

**MACINTOSH XL TOP ASSEMBLY (Figure 2)**

Item	Part No.	Description
1	815-4075	Top Cover Plastic
2	620-5105	SubAssembly, Back
3	830-0051	Fastener, 1/4 Turn
4	815-4073	Right Side Plastic
5	076-0104	Lisa/Macintosh XL Softswitch Assembly
6	620-6112	Glare Screen Assembly
7	815-4074	Left Side Plastic
8	661-96155	Macintosh Mouse
9	699-8001	Rubber Coated Mouse Ball
10	661-93109	Lisa/Macintosh XL Keyboard

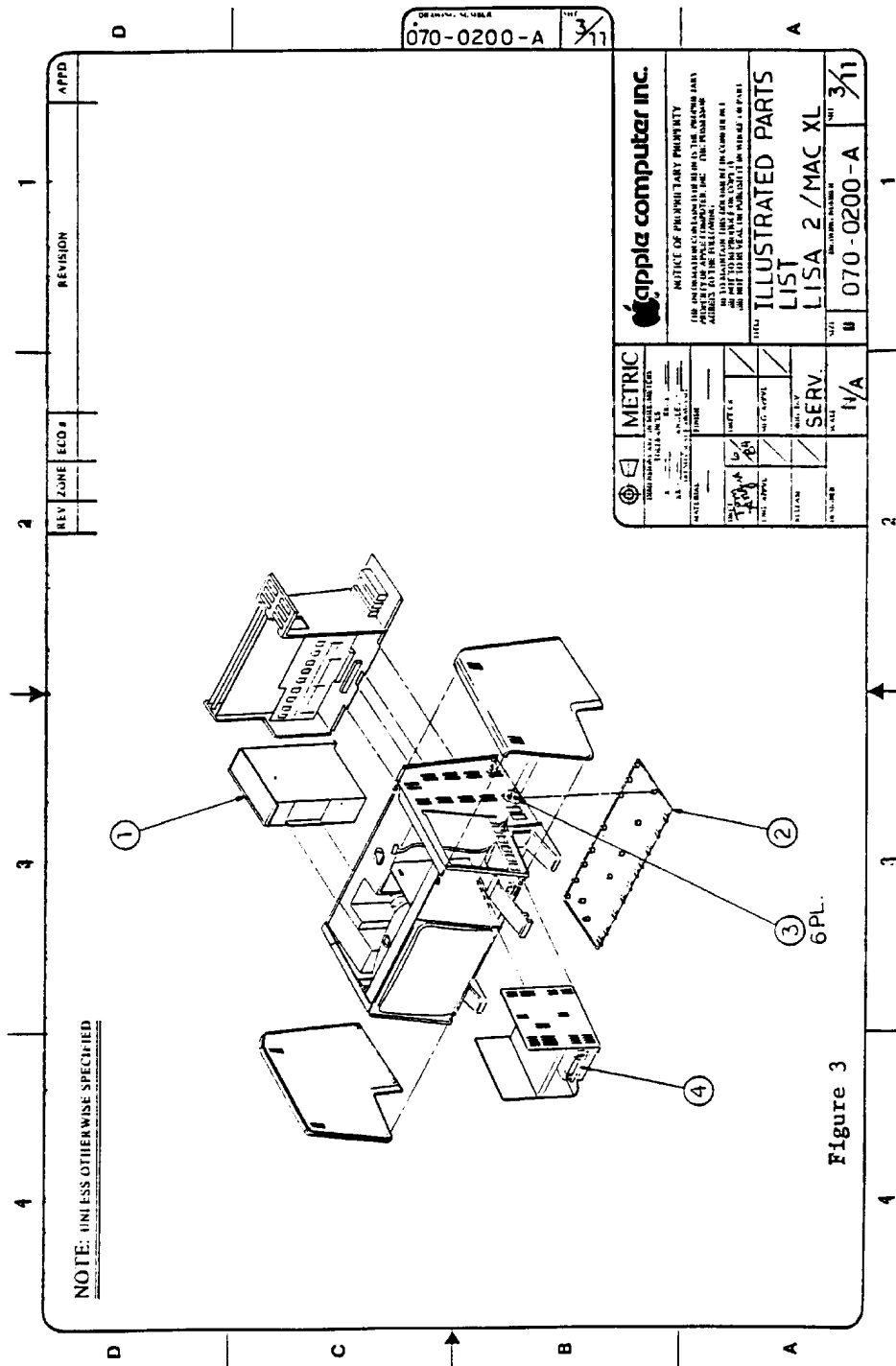
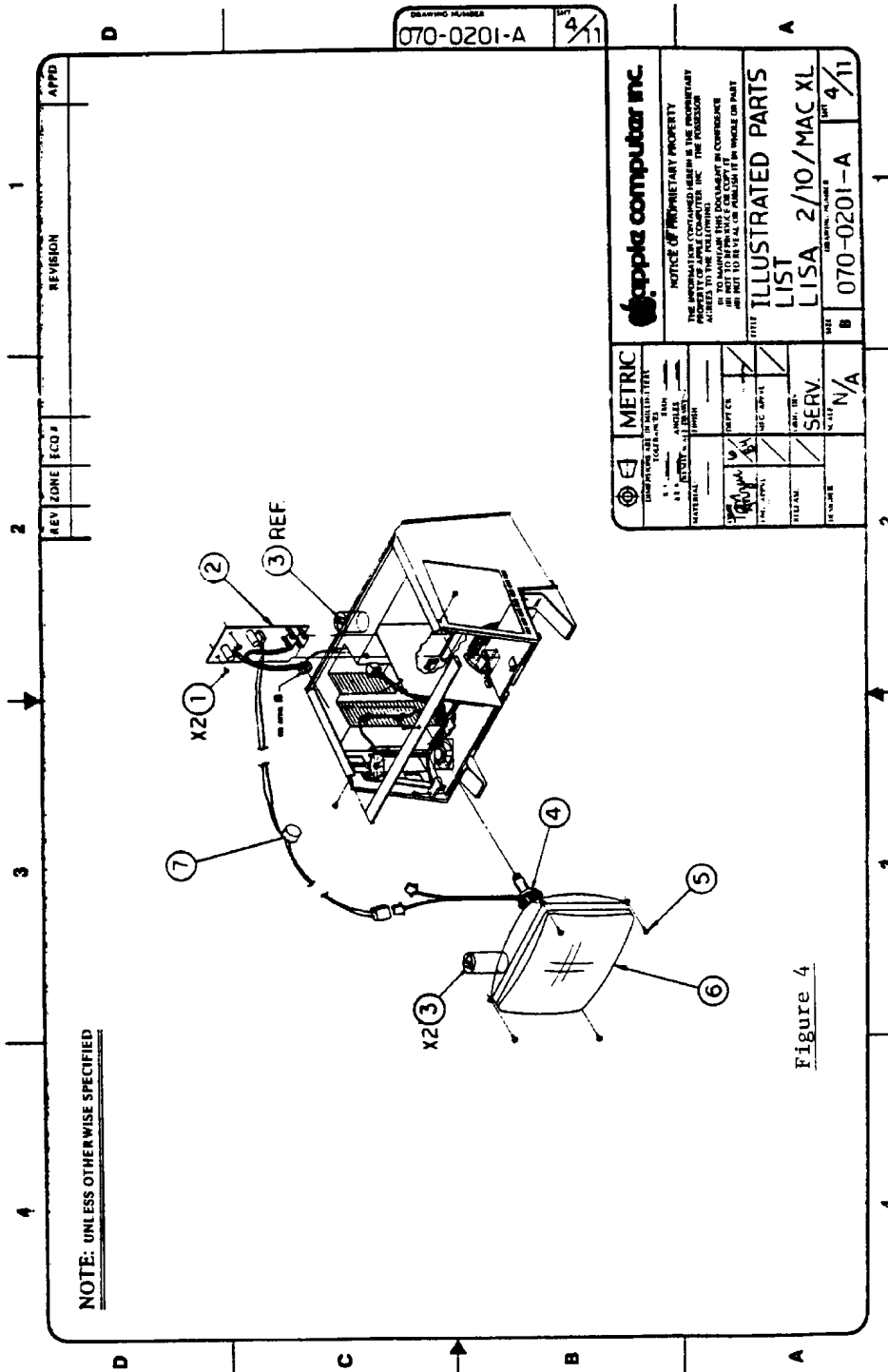


Figure 3

**MACINTOSH XL CHASSIS 4 (Figure 3)**

Item	Part No.	Description
1	661-73172	Macintosh XL Power Supply
2	815-4090	Bottom Pan
3	430-3001	Screw Tap 6-20x0.375, Bottom Pan
4	661-76156	Micro Disk Mech Assembly
5	661-93176	Macintosh XL Hard Disk Assembly



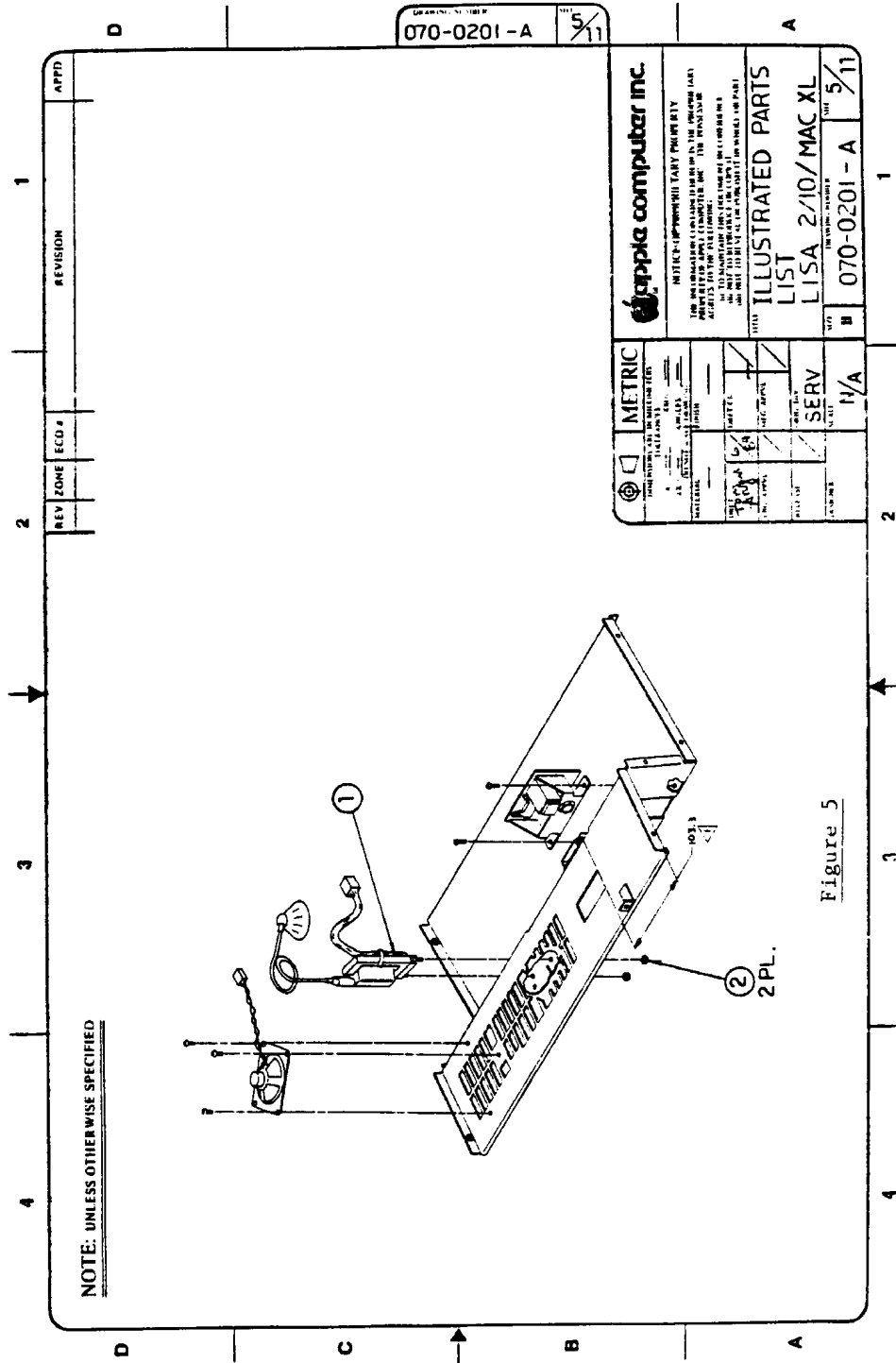
Macintosh XL

rev. Jul 85

page 3.7

**MACINTOSH XL VIDEO ASSEMBLY (Figure 4)**

Item	Part No.	Description
1	400-1603	Video Board Screw, 6-32x3/16
2	661-93107	Lisa/Macintosh XL Video Board
3	825-4002	Label, Danger
4	159-0015	Magnet, Yoke, Trim
	159-0020	Magnet, Yoke, Yellow
	159-0021	Magnet, Yoke, Red
	159-0022	Magnet, Yoke, Green
	159-0023	Magnet, Yoke, Blue
5	450-0020	Serrated Washer, CRT 8-32x0.375
6	076-0105	Lisa/Macintosh XL CRT Yoke Assembly
7	699-0346	Transformer



apple computer inc.

NOTICE: APPROVED FOR SALE PROPERTY
 100 MILLBUCKLE CIRCLE (100 MILL) IN THE ANCHORAGE AREA
 PRINCETON, NEW JERSEY 08542-1000
 APPLE COMPUTER, INC. THE TRADE NAME
 APPLIED TO THIS PRODUCT IS THE PROPERTY OF APPLE COMPUTER, INC.
 AND WILL REMAIN THE PROPERTY OF APPLE COMPUTER, INC. FOR PARS

METRIC

UNIT CONVERSION TABLE FOR METRIC

INCHES	MILLIMETERS
1/16	1.5875
1/8	3.175
3/16	4.7625
1/4	6.35
5/16	7.9375
3/8	9.525
7/16	11.1125
1/2	12.7
9/16	14.2875
5/8	15.875
11/16	17.4625
3/4	19.05
7/8	20.6375
1	25.4

ILLUSTRATED PARTS LIST
 LISA 2/10/MAC XL

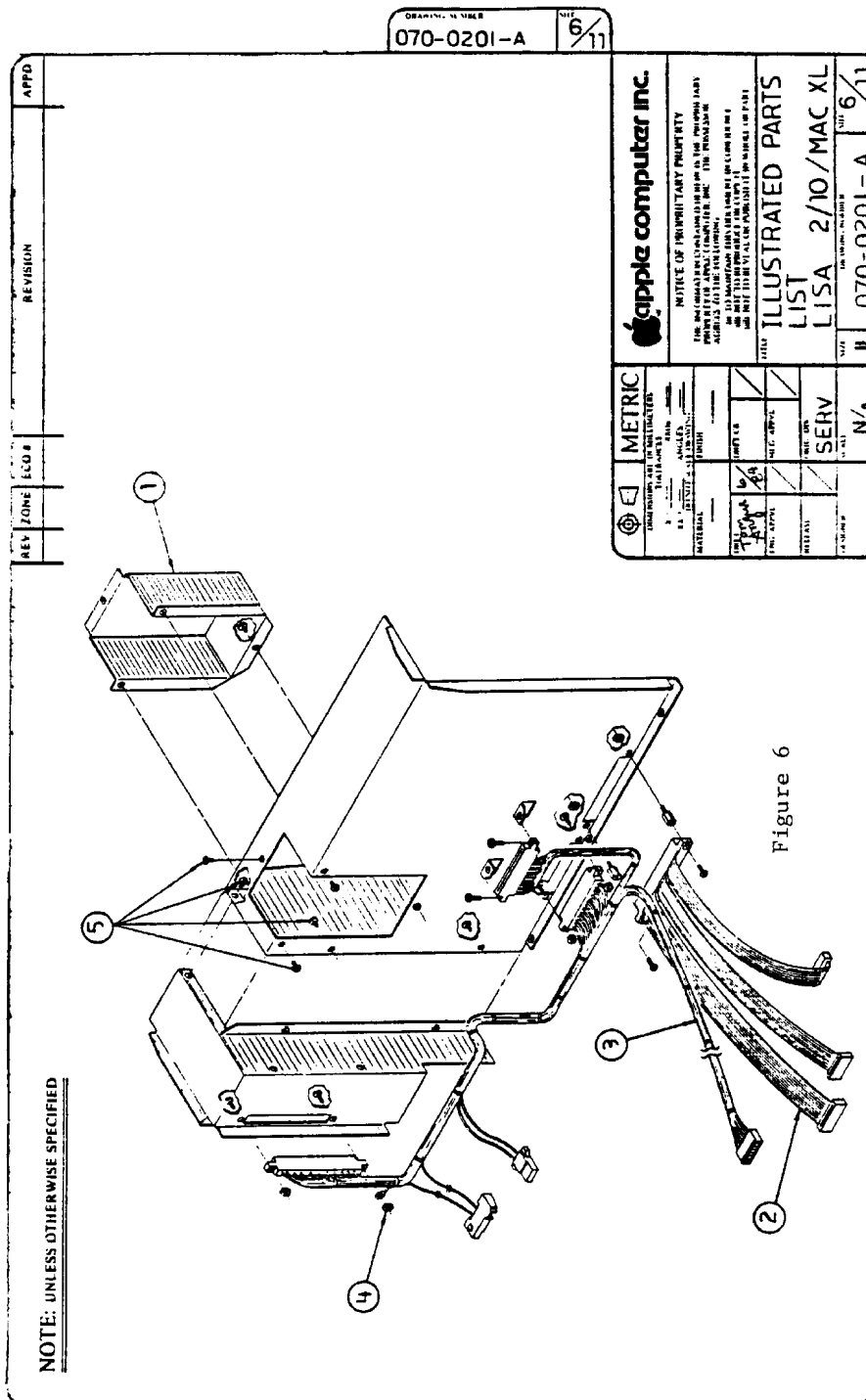
REV. 5/11

070-0201-A

Figure 5

**MACINTOSH XL VIDEO ASSEMBLY (Figure 5)**

Item	Part No.	Description
1	076-0106	Lisa/Macintosh XL Flyback Transformer
2	835-0181	Nut/Washer Assembly M3 0.5, Lisa/Macintosh XL Flyback



**MACINTOSH XL CHASSIS 1 (Figure 6)**

Item	Part No.	Description
1	805-4008	CRT Cup
2	591-0014	Drive Cable, Macintosh XL
3	591-0020	Power Cable, 2.0/Macintosh XL
4	835-0150	Nut, Washer Assembly Card Cage Chamber
5	400-1603	Video Board Screw, 6-32x3/16



DRAWING NUMBER 070-0201-A REV 7/11

REV ZONE	ECO #	REVISION	APPD	
1	2	3	4	5
6	7	8	9	10
11				
<p>NOTE: UNLESS OTHERWISE SPECIFIED</p>				
	<p>METRIC</p> <p>UNLESS OTHERWISE SPECIFIED, DIMENSIONS ARE IN MILLIMETERS (INCHES)</p> <p>APPROXIMATE DIMENSIONS ARE IN MILLIMETERS (INCHES)</p> <p>APPROXIMATE DIMENSIONS ARE IN MILLIMETERS (INCHES)</p> <p>APPROXIMATE DIMENSIONS ARE IN MILLIMETERS (INCHES)</p> <p>APPROXIMATE DIMENSIONS ARE IN MILLIMETERS (INCHES)</p>			
<p>apple computer inc</p> <p>NOTICE OF PROPRIETARY PROPERTY</p> <p>THE INFORMATION CONTAINED HEREIN IS THE PROPRIETARY PROPERTY OF APPLE COMPUTER, INC. THE POSSESSION, REPRODUCTION, OR DISSEMINATION OF THIS INFORMATION WITHOUT THE WRITTEN PERMISSION OF APPLE COMPUTER, INC. IS PROHIBITED.</p> <p>TO MAINTAIN THIS EXCLUSION OF CONFIDENCE, THIS INFORMATION IS NOT TO BE REPRODUCED, COPIED, OR IN ANY MANNER DISCLOSED TO ANY OTHER PERSON OR ENTITY.</p>				
<p>TITLE ILLUSTRATED PARTS LIST</p> <p>LISA 2/10 / MAC XL</p>			<p>REV 7/11</p>	<p>070-0201-A</p>

Figure 7

**MACINTOSH XL DISK DRIVE ASSEMBLY (Figure 7)**

Item	Part No.	Description
1	661-93176	Macintosh XL Hard Disk Assembly
2	805-4054	Micro Disk Drive Carrier Shelf
3	805-4052	Micro Disk Drive Carrier
4	591-0017	Micro Disk Extender Cable
5	400-3604	Micro Disk Drive Screw, 6-32 x 1/4
6	410-2306	Micro Disk Carrier Bottom Screw, M3x5x6mm
7	860-0009	Micro Disk Standoff
8	600-0030	Macintosh XL Fan
9	661-76156	Micro Disk Assembly
10	406-1618	Fan Screw 6-32x1
11	860-0251	Fan, Internal Tooth #6



Deleted revision
070-0201-A REV 8/11

REV	ZONE	ECO	REV	DATE	APPD
			REVISION		

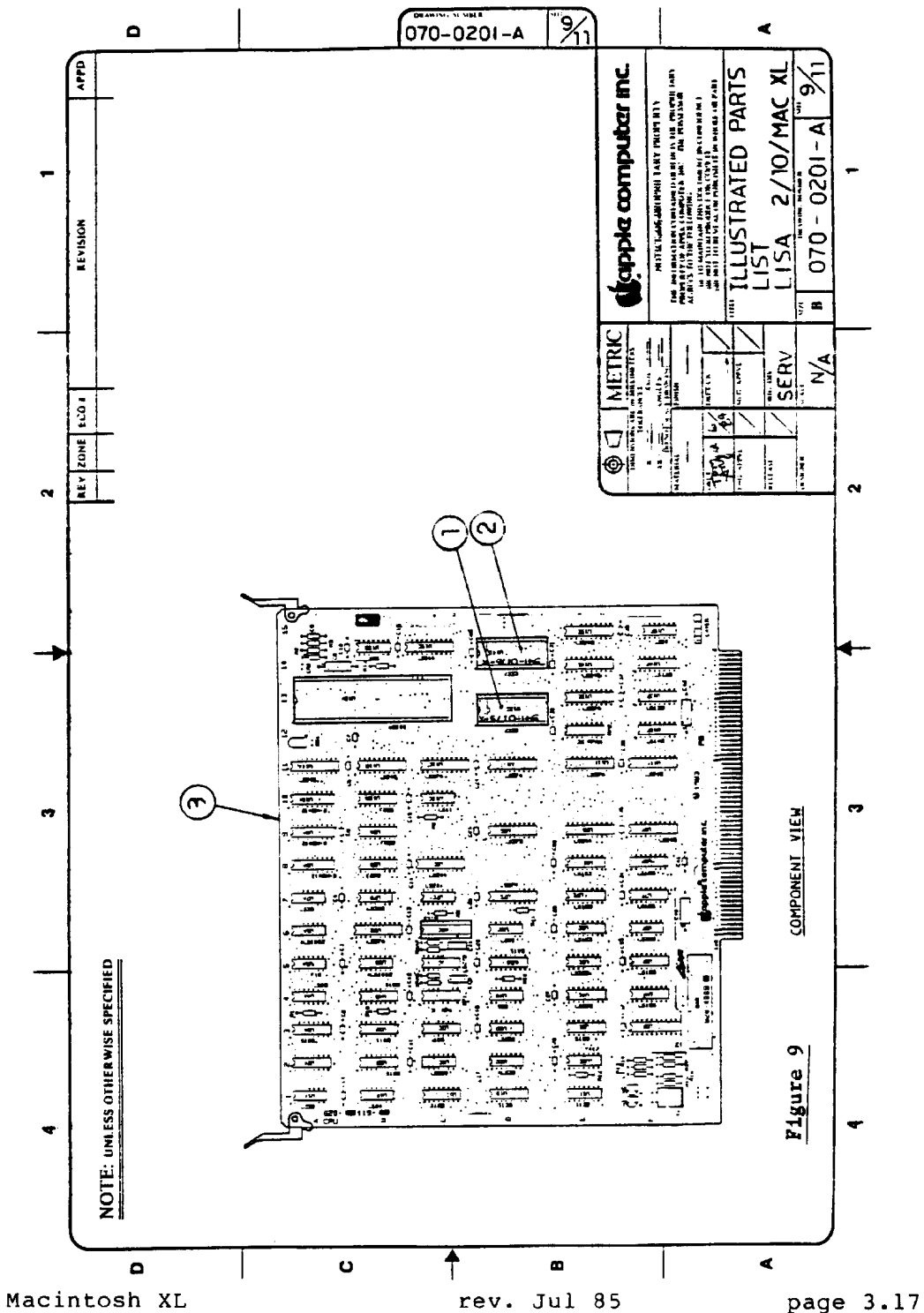
NOTE: UNLESS OTHERWISE SPECIFIED

METRIC	NOTICE OF PROPRIETARY PROPERTY THE INFORMATION CONTAINED HEREIN IS THE PROPRIETARY PROPERTY OF APPLE COMPUTER, INC. THE PROVISION OF THIS DOCUMENT IS FOR YOUR INFORMATION ONLY. IT IS NOT TO BE REPRODUCED OR TRANSMITTED IN ANY FORM OR BY ANY MEANS, ELECTRONIC OR MECHANICAL, INCLUDING PHOTOCOPYING, RECORDING, OR BY ANY INFORMATION STORAGE AND RETRIEVAL SYSTEM, WITHOUT THE EXPRESS WRITTEN PERMISSION OF APPLE COMPUTER, INC.
MATERIAL: <input type="checkbox"/> METRIC FINISH: <input type="checkbox"/> METRIC DIMENSIONS: <input type="checkbox"/> METRIC UNLESS OTHERWISE SPECIFIED	TITLE ILLUSTRATED PARTS LIST LISA 2/10/MAC XL
OFFICE: <input type="checkbox"/> CUPERTINO <input type="checkbox"/> CANNONVILLE <input type="checkbox"/> CARMEL <input type="checkbox"/> CULVER CITY <input type="checkbox"/> FOLSOM <input type="checkbox"/> FREDERICKSON <input type="checkbox"/> HAWAII <input type="checkbox"/> MILPITAS <input type="checkbox"/> REDWOOD CITY <input type="checkbox"/> SAN JOSE <input type="checkbox"/> SHERMAN OAKS <input type="checkbox"/> TAMPA <input type="checkbox"/> WASHINGTON FIELD OFFICE	PART NUMBER 070-0201-A
GEN. SERV. <input type="checkbox"/> N/A SPECIAL <input type="checkbox"/> N/A	REV 8/11

Figure 8

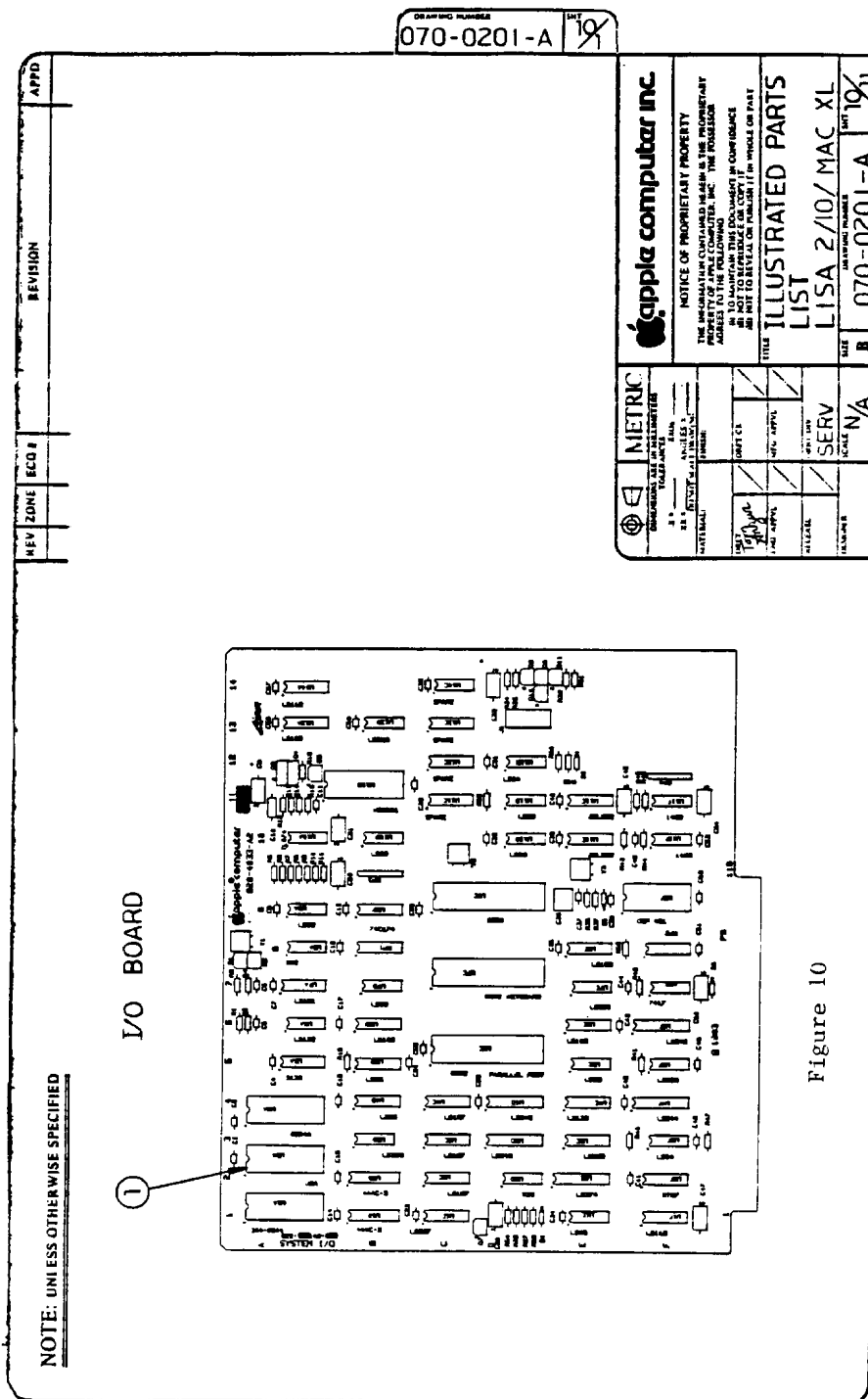
**MACINTOSH XL CARD CAGE (Figure 8)**

Item	Part No.	Description
1	661-93105	Lisa/Macintosh XL Memory Board
2	661-93103	Lisa/Macintosh XL CPU Card
3	661-93171	Macintosh XL I/O Board
4	805-4051	Macintosh XL Card Cage Chassis
5	400-1405	Card Cage Screw, 4-40x5/16
6	825-4052	Label, Connector
7	661-93170	Macintosh XL Motherboard



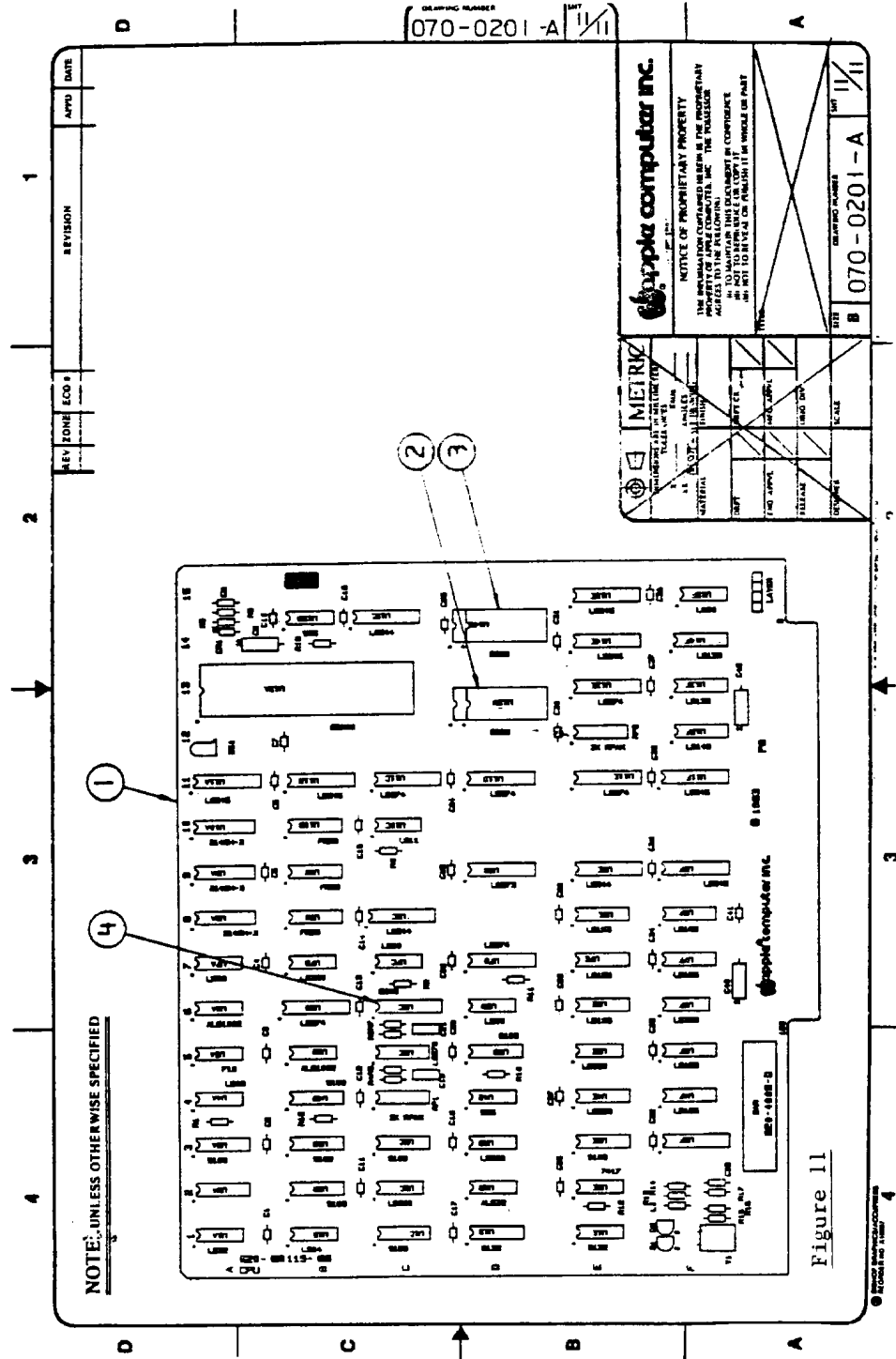
**LISA/MACINTOSH XL CPU BOARD (Figure 9)**

Item	Part No.	Description
1	341-0175	Boot ROM, High 64K
2	341-0176	Boot ROM, Low 64K
3	661-93103	Lisa/Macintosh XL CPU Board



**LISA/MACINTOSH XL I/O BOARD (Figure 10)**

Item	Part No.	Description
1	341-0281	Disk Controller ROM, Macintosh XL



Macintosh XL

rev. Jul 85

page 3.21

**LISA/MACINTOSH XL - MODIFIED CPU CARD (Figure 11)**

Item	Part No.	Description
1	661-0298	Macintosh XL Modified CPU Card
2	341-0347	Boot ROM, High
3	341-0346	Boot ROM, Low
4	341-0348	Video ROM

FINIS