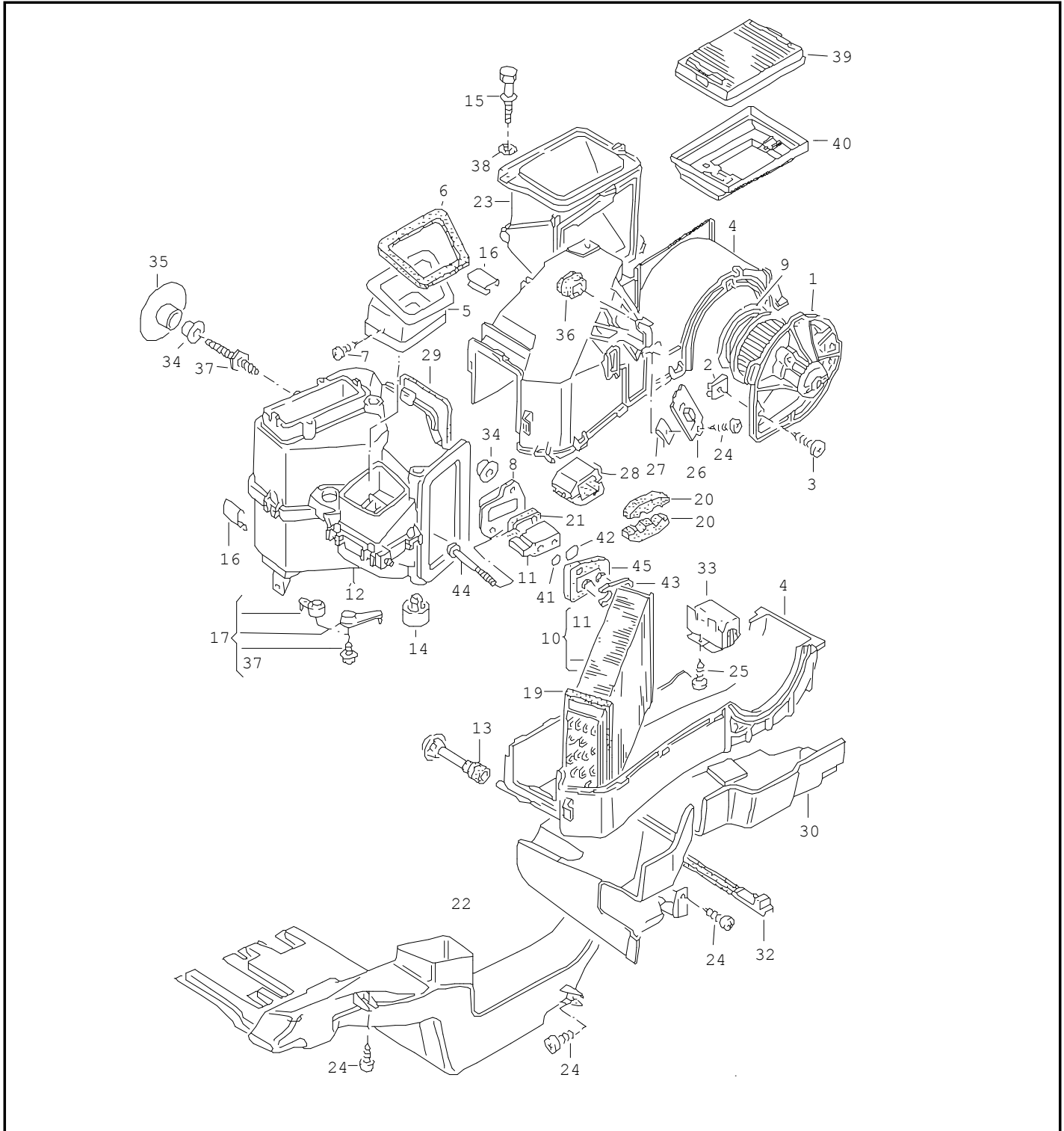




ETKA



Model	Year	MG:	SG:	Illustration	Restrictions	Update		
PA	97	8	20	820-10		532	1:28	03.06.2006





ETKA



Model PA	Year 97	MG: 8	SG: 20	Illustration 820-10	Restrictions	Update 532	1:28	03.06.2006
-------------	------------	----------	-----------	------------------------	--------------	---------------	------	------------

Pos	Part Number	Name	Remarks	Qty	Model
		air distribution housing evaporator housing evaporator fan footwell vent			AIR CONDIT.
1	357 820 021	fan	lhd	1	
2	N 902 767 01	speed nut	B4, 8X14X12, 6	4	
3	N 013 969 4	tapping screw, fill. hd.	B4, 8X16	4	
4	3A1 820 024 B	housing	lhd	1	
5	357 819 081	intermediate piece	lhd	1	
6	357 819 070	gasket		1	
7	N 013 968 1	tapping screw, fill. hd.	ST4, 8X13-C	3	
8	191 820 281	reinforcement plate		1	
9	191 820 048	ring		1	
10	357 820 103 D	evaporator with expansion valve	lhd	1	
11	6N0 820 679 C	expansion valve	R134A	1	
12	357 820 351 C	connection box	lhd	1	
		also use:	1H1 898 001	1	
13	191 820 119 A	water drain valve		1	
14	191 819 398	clip		1	
15	357 819 056	bolt, hex. hd. with shaft intake manifold	M6X22/8X17	2	
16	321 819 059	clamp		X	
17	1H1 898 001	1 set of levers for air distribution housing	lhd	1	
19	191 820 129	gasket		2	
20	191 820 133	gasket	lhd	2	
21	321 820 061 D	gasket	shorten to: 1220X12X10 95MM	1	
22	357 820 141	footwell vent	lhd	1	
23	191 820 154 A	intake duct	lhd	1	



ETKA



Model PA	Year 97	MG: 8	SG: 20	Illustration 820-10	Restrictions	Update 532	1:28	03.06.2006
-------------	------------	----------	-----------	------------------------	--------------	---------------	------	------------

Pos	Part Number	Name	Remarks	Qty	Model
-	191 820 677 B	vacuum unit		1	
24	N 013 965 5	tapping screw, fill. hd.	B4,2X9,5	X	
26	701 959 263 A	series resistance for fresh air and hot air blower	1,9/0,92/0,26	1	
27	N 015 442 1	speed nut	B4,2X12,8X11	1	
28	1H0 820 692	insulating piece	lhd	1	
	10/93 3/97 01C	satin black			
29	191 819 370	gasket		1	
30	3A1 820 593	cover	lhd	1	
31	1H0 819 943	screw		3	
32	191 820 845	strap		1	
33	357 820 295	thermostat with protective cap	lhd	1	
(33)	358 820 295	thermostat with protective cap	rhd	1	
34	N 902 162 01	hex. nut	M6	4	
35	357 819 067	protective cap		3	AAA
36	357 820 149	rubber mounting		1	
38	357 819 762	sealing washer		4	
(39)	3A0 819 644	filter element for vehicles with dust and pollen filter		1	
-	3A0 819 646	clamp		2	
(40)	3A1 819 640	filter housing F 3A-S-000 001>>	lhd	1	
41	8A0 260 749 AJ	round seal	10,8X1,8	1	
42	8A0 260 749 AH	round seal	14X17,65	1	
43	1H0 816 831	flange expansion valve		1	
44	N 010 655 1	screw, cheese hd.	BM5X55	2	
45	191 820 139	gasket		1	
- - - E N D - - -					